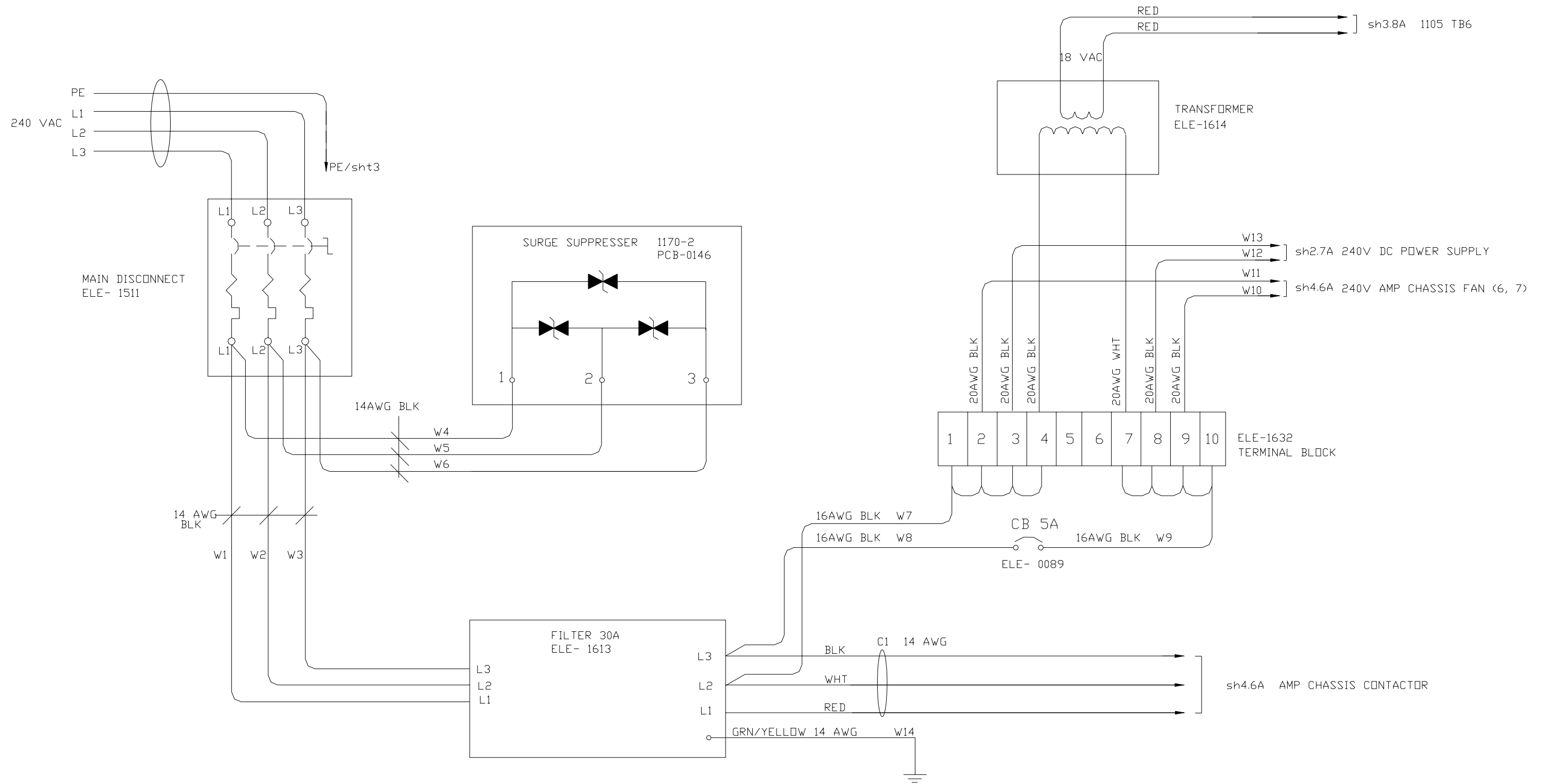


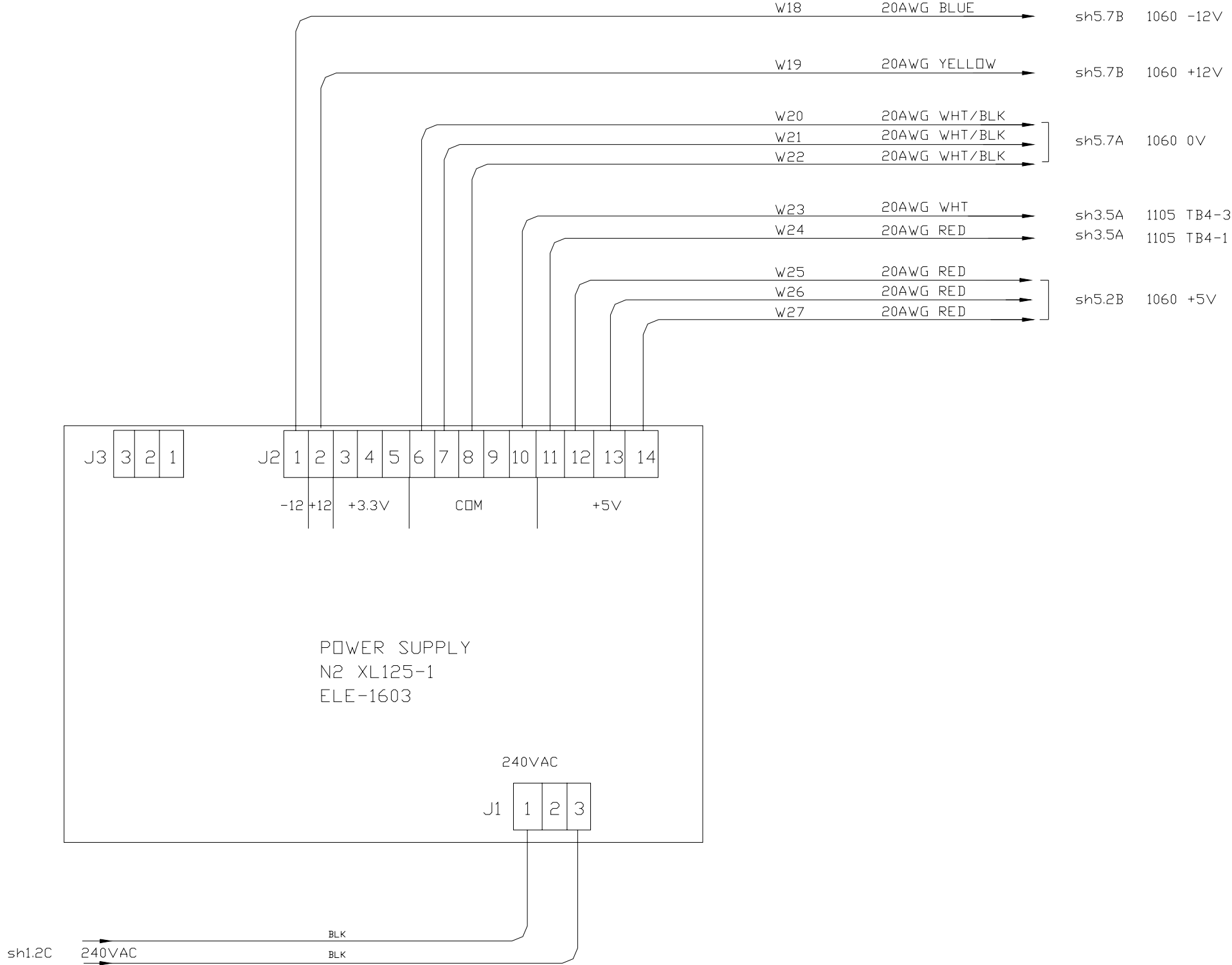
SECTION 13

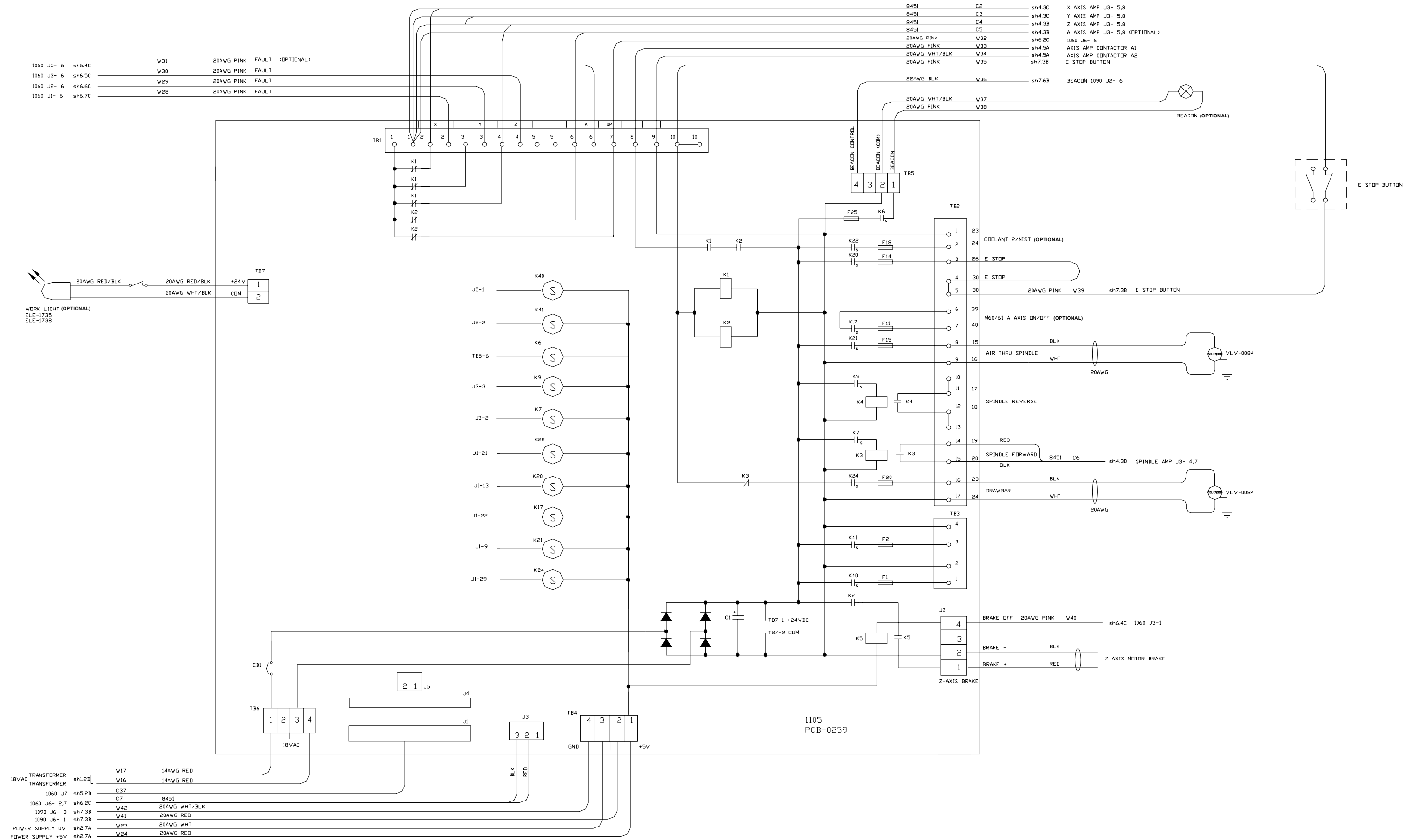
TRM

Wrg_0055A_trm_power_in_1of8

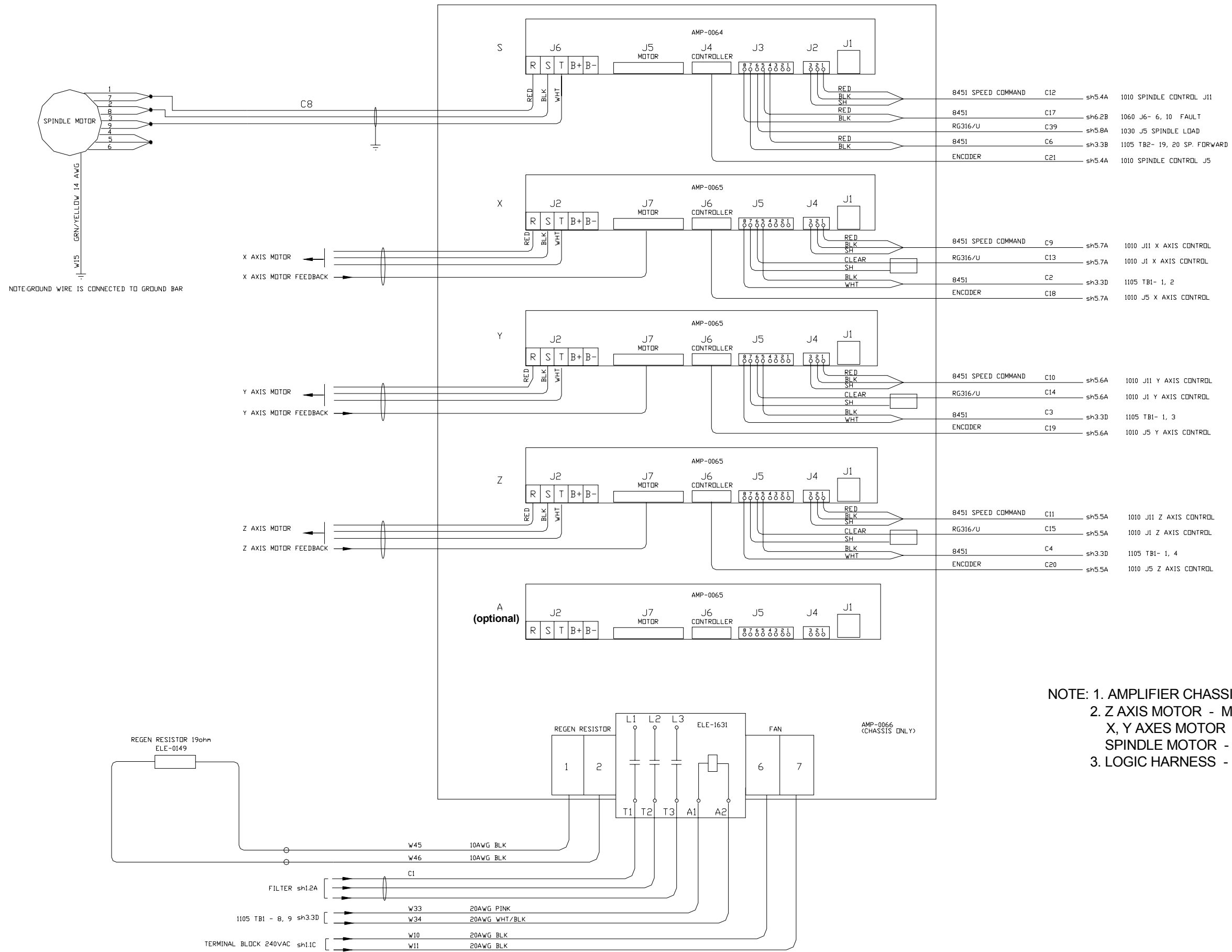


NOTE: GROUND WIRE IS CONNECTED TO GROUND BAR

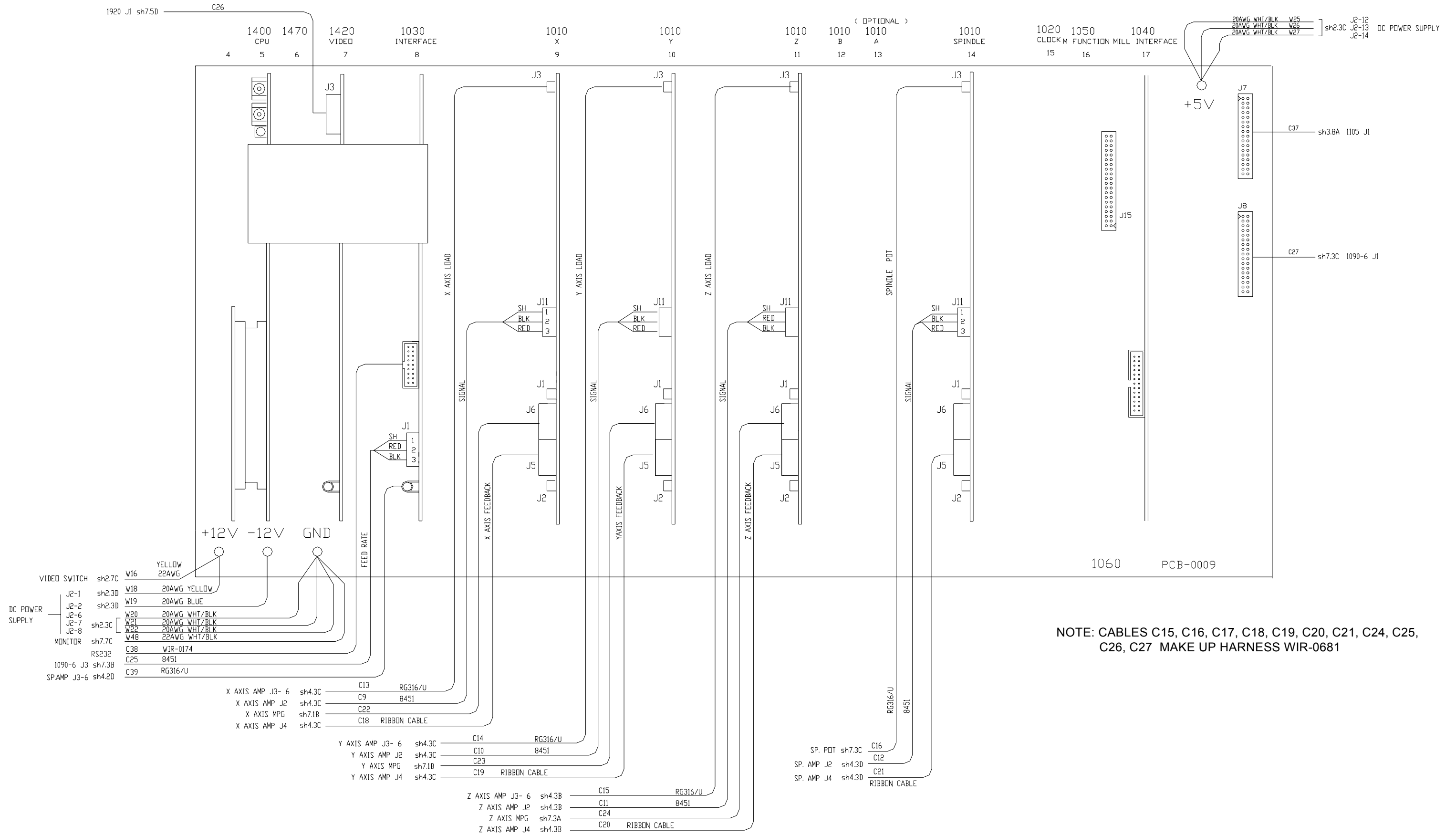




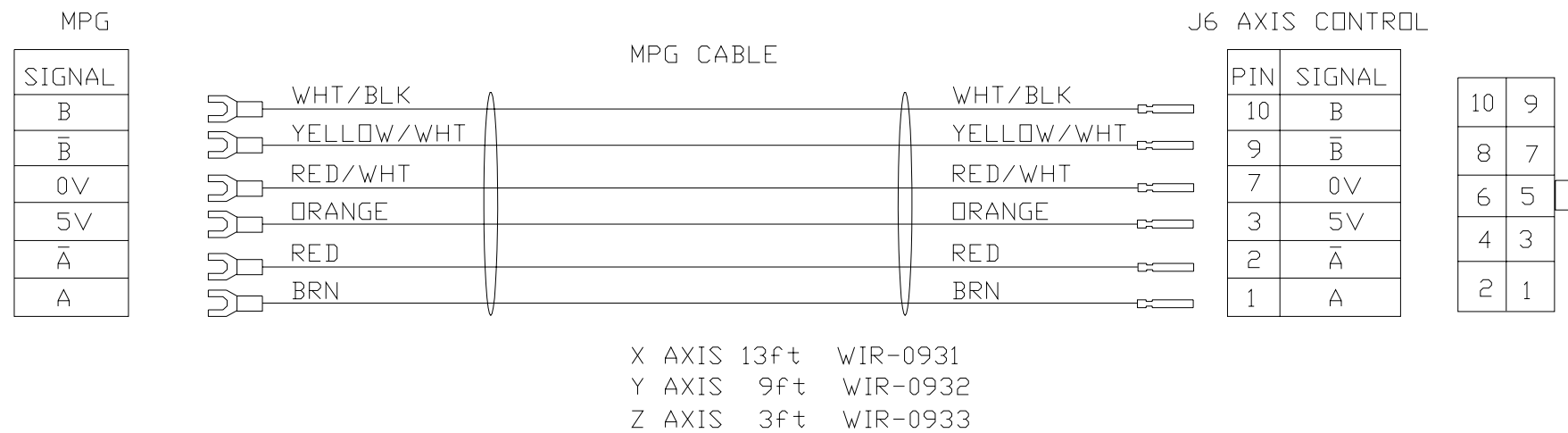
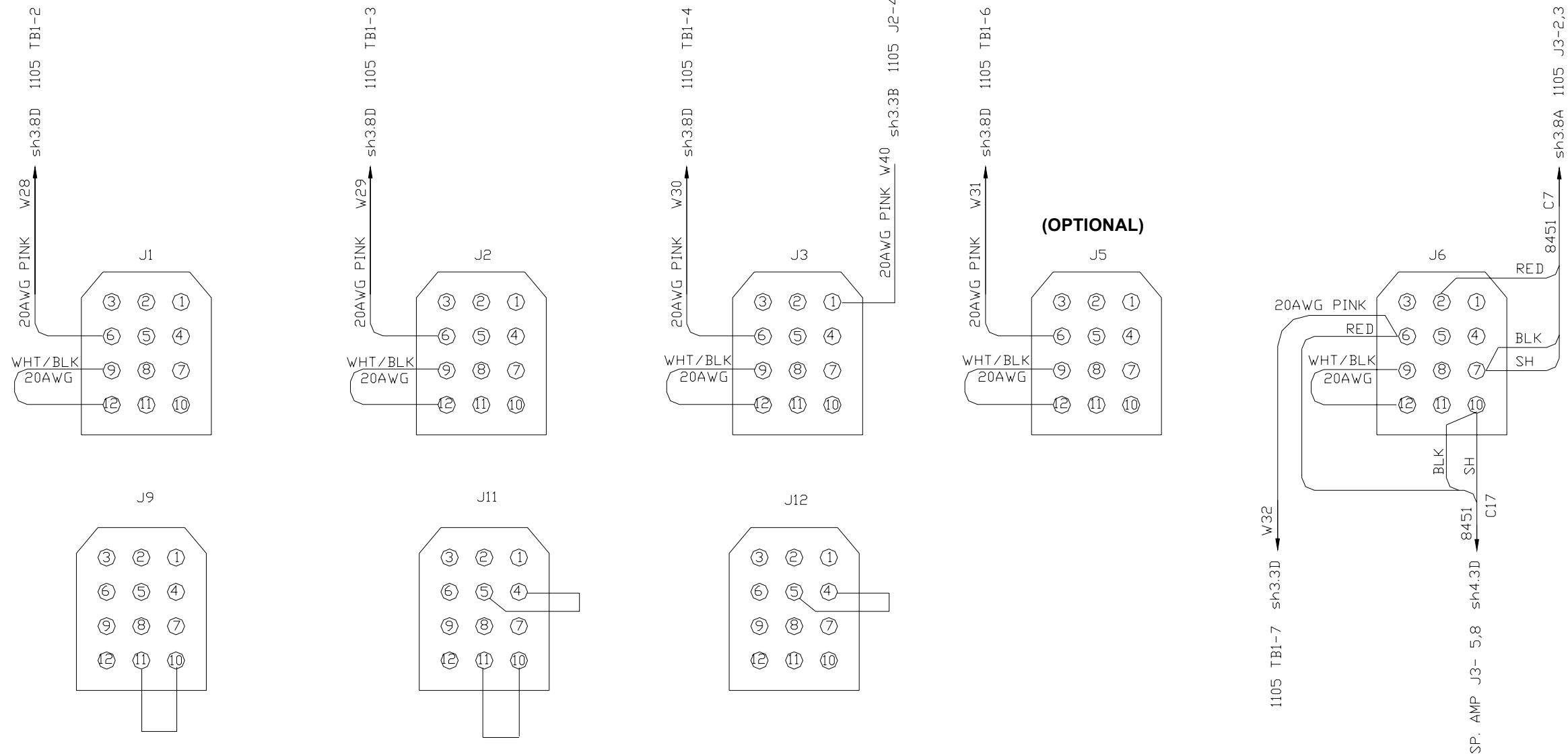
Wrg_0055A_trm_amp_4of8



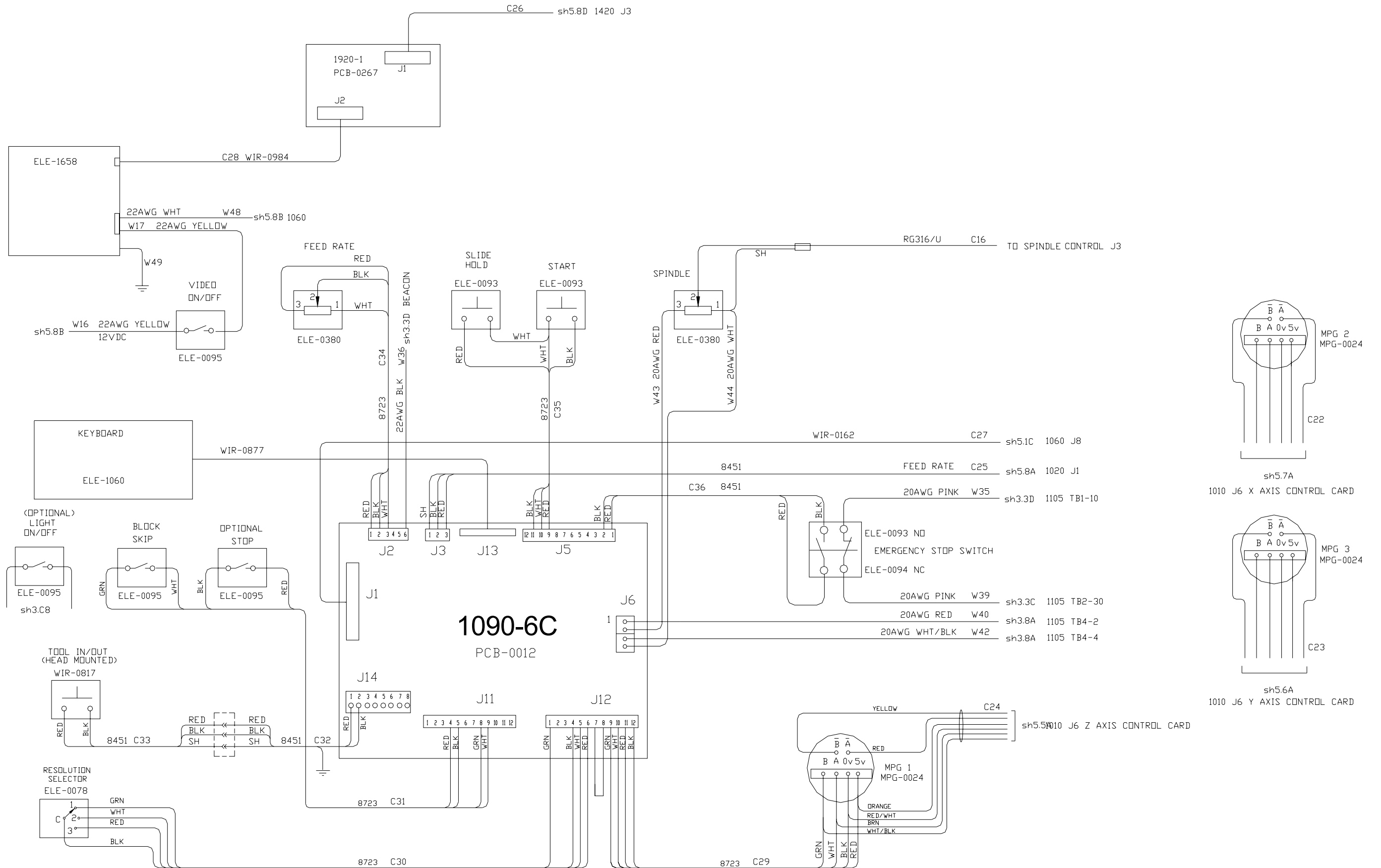
- NOTE: 1. AMPLIFIER CHASSIS WITH AMPLIFIERS - AMP-0063
 2. Z AXIS MOTOR - MTR-0233
 X, Y AXES MOTOR - MTR-0234
 SPINDLE MOTOR - MTR-0232
 3. LOGIC HARNESS - CABLES C2, C3, C4, C6,
 C9, C10, C11, C12,
 C13, C14, C15, C17,
 C18, C19, C20, C21
 MAKE UP HARNESS WIR-0681



Wrg_0055A_trm_1060connectors_6of8



NOTE: J1, 2, 3, 4, 5, 9, 11, 12 - MOLEX CONNECTOR WIR-0045



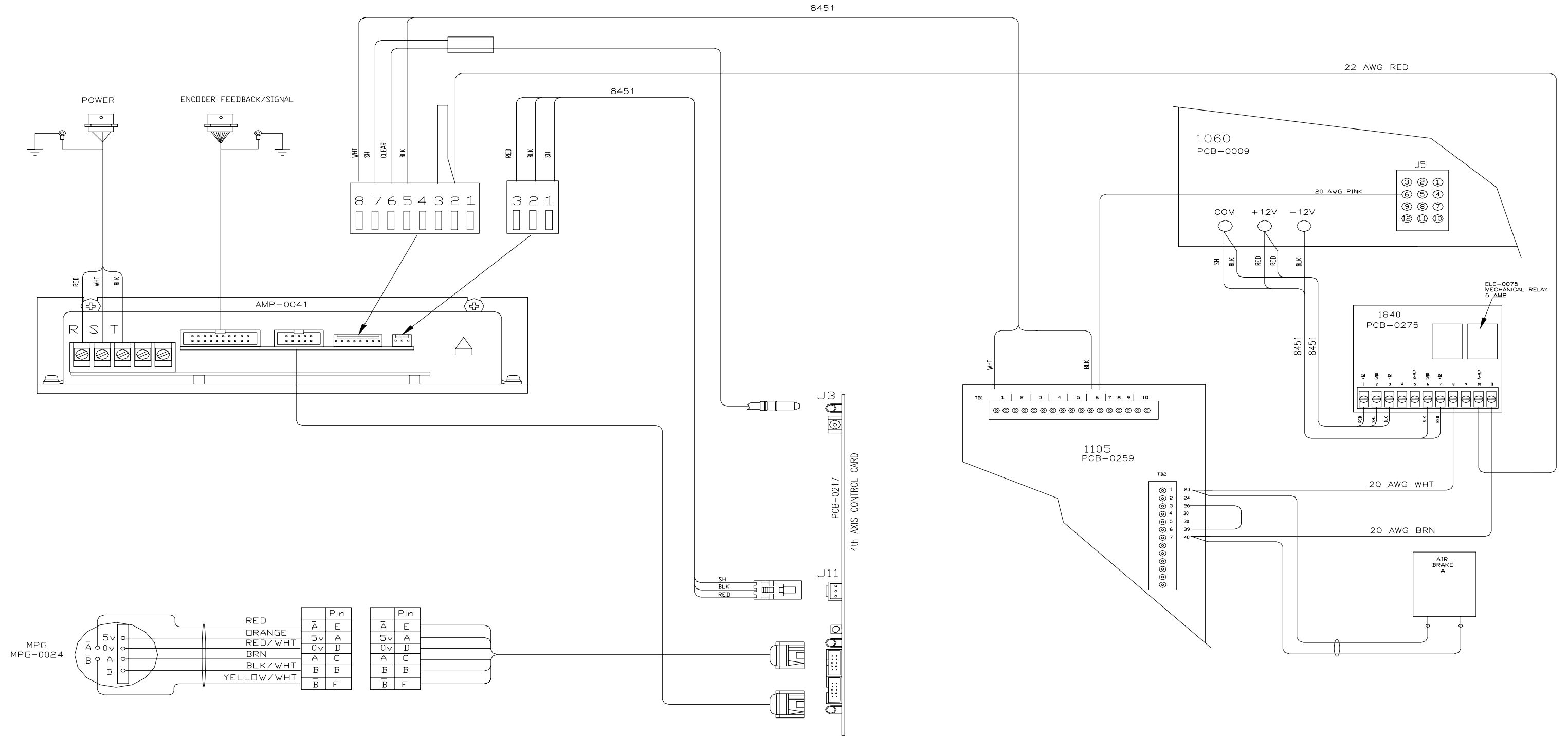
WIRES

NAME	TYPE	FADAL #	FROM - TO	SHEET
W1	14awg BLK	WIR-0916	MAIN DISCONNECT - FILTER	1
W2	14awg BLK	WIR-0917	MAIN DISCONNECT - FILTER	1
W3	14awg BLK	WIR-0918	MAIN DISCONNECT - FILTER	1
W4	14awg BLK	WIR-0919	MAIN DISCONNECT - 1170-2	1
W5	14awg BLK	WIR-0920	MAIN DISCONNECT - 1170-2	1
W6	14awg BLK	WIR-0921	MAIN DISCONNECT - 1170-2	1
W7	16awg BLK	WIR-0910	FILTER - TERMINAL BLOCK	1
W8	16awg BLK	WIR-0911	FILTER - CB	1
W9	16awg BLK	WIR-0912	CB - TEMINAL BLOCK	1
W10	20awg BLK	WIR-0913	TERMINAL BLOCK - AMP FAN	1, 4
W11	20awg BLK	WIR-0914	TERMINAL BLOCK - AMP FAN	1, 4
W12	20awg BLK	WIR-0915	TERMINAL BLOCK - DC POWER SUPPLY	1, 2
W13	20awg BLK	WIR-0915	TERMINAL BLOCK - DC POWER SUPPLY	1, 2
W14	20awg YELLOW		1060 +12V - SWITCH VIDIO ON/OFF , 7	
W15	20awg BLK/WHT		TRANSFORMER - VIDIO ON/OFF SWITCH	1, 7
W16	12awg RED		TRANSFORMER - 1105 TB-6	1, 3
W17	12awg RED		TRANSFORMER - 1105 TB-6	1, 3
W18	20awg BLUE	WIR-0922	DC POWER SUPPLY - 1060	2, 5
W19	20awg YELLOW	WIR-0922	DC POWER SUPPLY - 1060	2, 5
W20	20awg WHT/BLK	WIR-0922	DC POWER SUPPLY - 1060	2, 5
W21	20awg WHT/BLK	WIR-0922	DC POWER SUPPLY - 1060	2, 5
W22	20awg WHT/BLK	WIR-0922	DC POWER SUPPLY - 1060	2, 5
W23	20awg WHT/BLK	WIR-0922	DC POWER SUPPLY - 1105 TB-4	2, 3
W24	20awg RED	WIR-0922	DC POWER SUPPLY - 1105 TB-4	2, 3
W25	20awg RED	WIR-0922	DC POWER SUPPLY - 1060	2, 5
W26	20awg RED	WIR-0922	DC POWER SUPPLY - 1060	2, 5
W27	20awg RED	WIR-0922	DC POWER SUPPLY - 1060	2, 5
W28	20awg PINK	WIR-0923	1105 TB1-2 - 1060 J1-6	3, 6
W29	20awg PINK	WIR-0924	1105 TB1-3 - 1060 J2-6	3, 6
W30	20awg PINK	WIR-0925	1105 TB1-6 - 1060 J5-6	3, 6
W32	20awg PINK	WIR-0975	1105 TB1-7 - 1060 J6-6	3, 6
W33	20awg PINK	WIR-0944	1105 TB1-8 - AXIS AMP CONTACTOR A1	3, 4
W34	20awg WHT/BLK	WIR-0945	1105 TB1-9 - AXIS AMP CONTACTOR A2	3, 4
W35	20awg PINK	WIR-0973	1105 TB1-10 - E STOP BUTTTON	3, 7
W36	22awg BLK		1105 TB5-6 - 1090 J2-6	3, 7
W37	20awgWHT/BLK		1105 TB5-4 - BEACON	3
W38	20awg RED		1105 TB5-3 - BEACON	3
W39	20awg PINK	WIR-0974	1105 TB2-5 - E STOP BUTTON	3, 7
W40	20awg PINK	WIR-0948	1105 J2-4 - 1060 J3-1	3, 6
W41	20awg RED		1105 TB4-2 - 1090 J6-1	3, 7
W42	20awg WHT/BLK	WIR-0949	1105 TB4-4 - 1090 J6-3	3, 7
W43	20awg RED	WIR-0905	1090 J6-2 - SPINDLE PDT	3, 7
W44	20awg WHT	WIR-0906	1090 J6-4 - SPINDLE PDT	3, 7
W45	10awg BLK		AMP CHASSIS - REGEN RESISTOR	4
W46	10awg BLK		AMP CHASSIS - REGEN RESISTOR	4
W47	20awg BLK		TERMINAL BLOCK JUMPER	4
W48	22awg WHT		1060 - MONITOR	4, 7
W49	14awg GRN		MONITOR - GROUND BAR	7

CABLES

NAME	TYPE	FADAL #	FROM - TO	SHEET
C1	3cond. 14awg	WIR-0909	FILTER - AMP. CHASSIS	1, 4
C2	8451	WIR-0893	1105 TB1-1,2 - X AXIS AMP J3-5,8	3, 4
C3	8451	WIR-0894	1105 TB1-1,3 - Y AXIS AMP J3-5,8	3, 4
C4	8451	WIR-0895	1105 TB1-1,4 - Z AXIS AMP J3-5,8	3, 4
C5	8451		1105 TB1-1,6 - A AXIS AMP J3-5,8	3, 4
C6	8451	WIR-0896	1105 TB2-19,20 - SP. AMP J3-5,8	3, 4
C7	8451	WIR-0927	1105 J3-2,3 - 1060 J6-2,7	3, 6
C8	3cond. 14awg	WIR-0908	SP. AMP J6 - SP. MOTOR	6
C9	8451	WIR-0978	X AXIS AMP J2 - X AXIS CONTROL J11	4, 5
C10	8451	WIR-0880	Y AXIS AMP J2 - Y AXIS CONTROL J11	4, 5
C11	8451	WIR-0981	Z AXIS AMP J2 - Z AXIS CONTROL J11	4, 5
C12	8451	WIR-0979	SP. AMP J2 - SP. CONTROL J11	4, 5
C13	RG316/U	WIR-0893	X AXIS AMP J3-6,7 - X AXIS CONTROL J3	4, 5
C14	RG316/U	WIR-0894	Y AXIS AMP J3-6,7 - Y AXIS CONTROL J3	4, 5
C15	RG316/U	WIR-0895	Z AXIS AMP J3-6,7 - Z AXIS CONTROL J3	4, 5
C16	RG316/U		SP. PDT - SP. CONTROL J3	4, 5
C17	8451	WIR-0896	SP. AMP J3-5,8 - 1060 J6-6,10	4, 5
C18	RIBBON CABLE	WIR-0890	X AXIS AMP J4 - Y AXIS CONTROL J5	4, 5
C19	RIBBON CABLE	WIR-0891	Y AXIS AMP J4 - Y AXIS CONTROL J5	4, 5
C20	RIBBON CABLE	WIR-0892	Z AXIS AMP J4 - Z AXIS CONTROL J5	4, 5
C21	RIBBON CABLE	WIR-0889	SP. AMP J4 - SP. CONTROL J5	4, 5
C22		WIR-0931	X AXIS CONT J6 - X AXIS MPG	5, 7
C23		WIR-0932	Y AXIS CONT J6 - Y AXIS MPG	5, 7
C24		WIR-0933	Z AXIS CONT J6 - Z AXIS MPG	5, 7
C25	8451	WIR-0901	1030 J1 - 1090 J3	5, 7
C26		WIR-1010	1420 J3 - 1920-0 J1	5, 7
C27		WIR-0989	1060 J8 - 1090 J1	5, 7
C28		WIR-0984	1920-0 J2 - MONITOR	7
C29	8723	WIR-0899	1090 J12 - Z AXIS MPG	7
C30	8723	WIR-0899	1090 J12 - RESOLUTION SELECTOR	7
C31	8723	WIR-0900	1090 J11 - OPT. STOP/BLOCK SKIP	7
C32	8451	WIR-0941	1090 J14 - TOOL IN/OUT CONNECTOR	7
C33	8451	WIR-0969	TOOL IN/OUT CONNECTOR - BUTTON	7
C34	8723	WIR-0897	FEED RATE PDT - 1090 J2	7
C35	8723	WIR-0898	1090 J5 - START/SLIDE HOLD BUTTON	7
C36	8451	WIR-0898	1090 J5 - E STOP BUTTON	7
C37		WIR-0988	1105 J1 - 1060 J7	5, 7
C38			RS232 PORT - 1030 J3	5
C39	RG316/U	WIR-0896	SP. AMP J3-6 - 1030 J5	4, 5

WRG_0071A_trm_a_axis



WIR-0985 - TRM SERVO DISCONNECT A AXIS