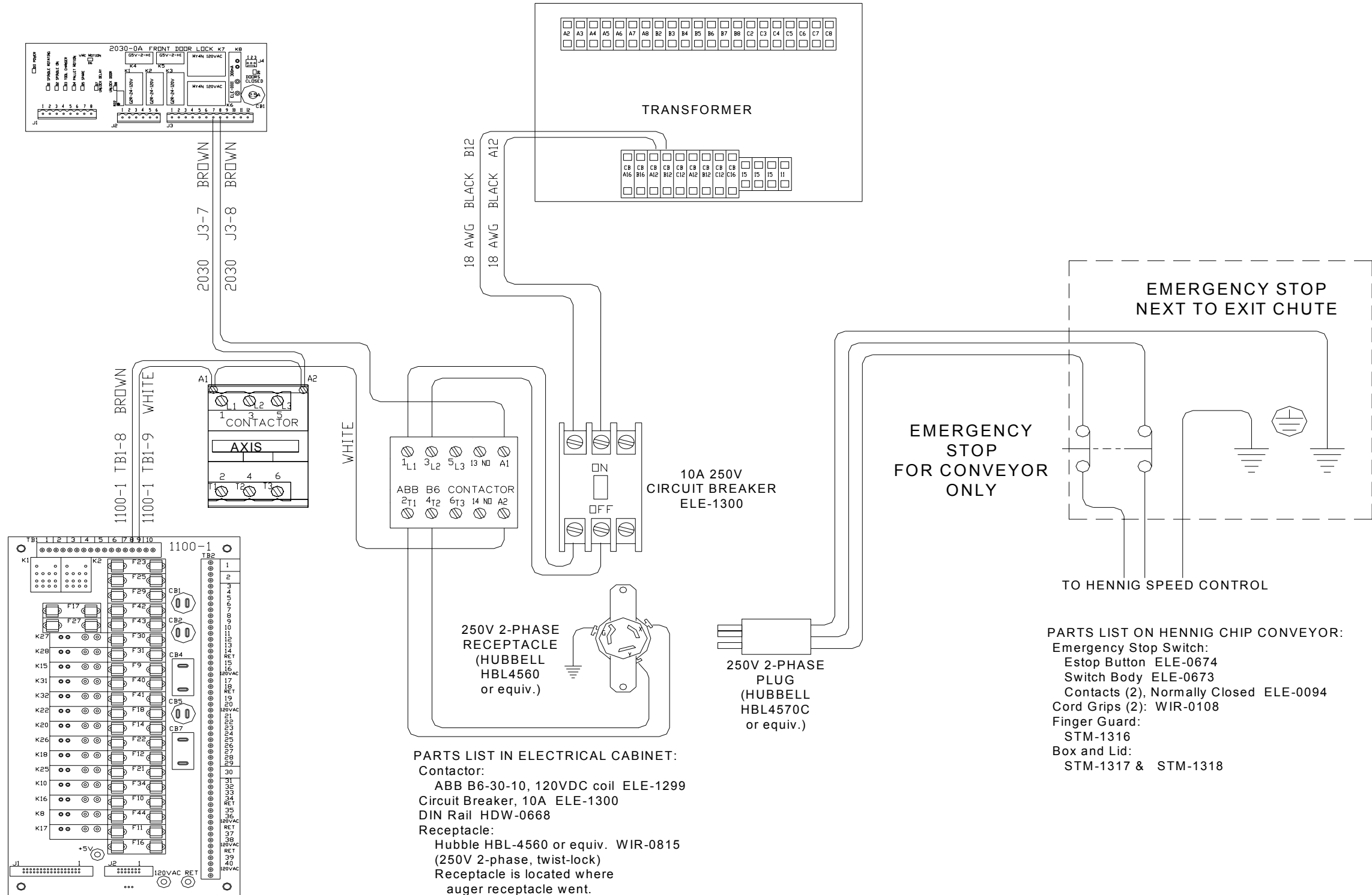


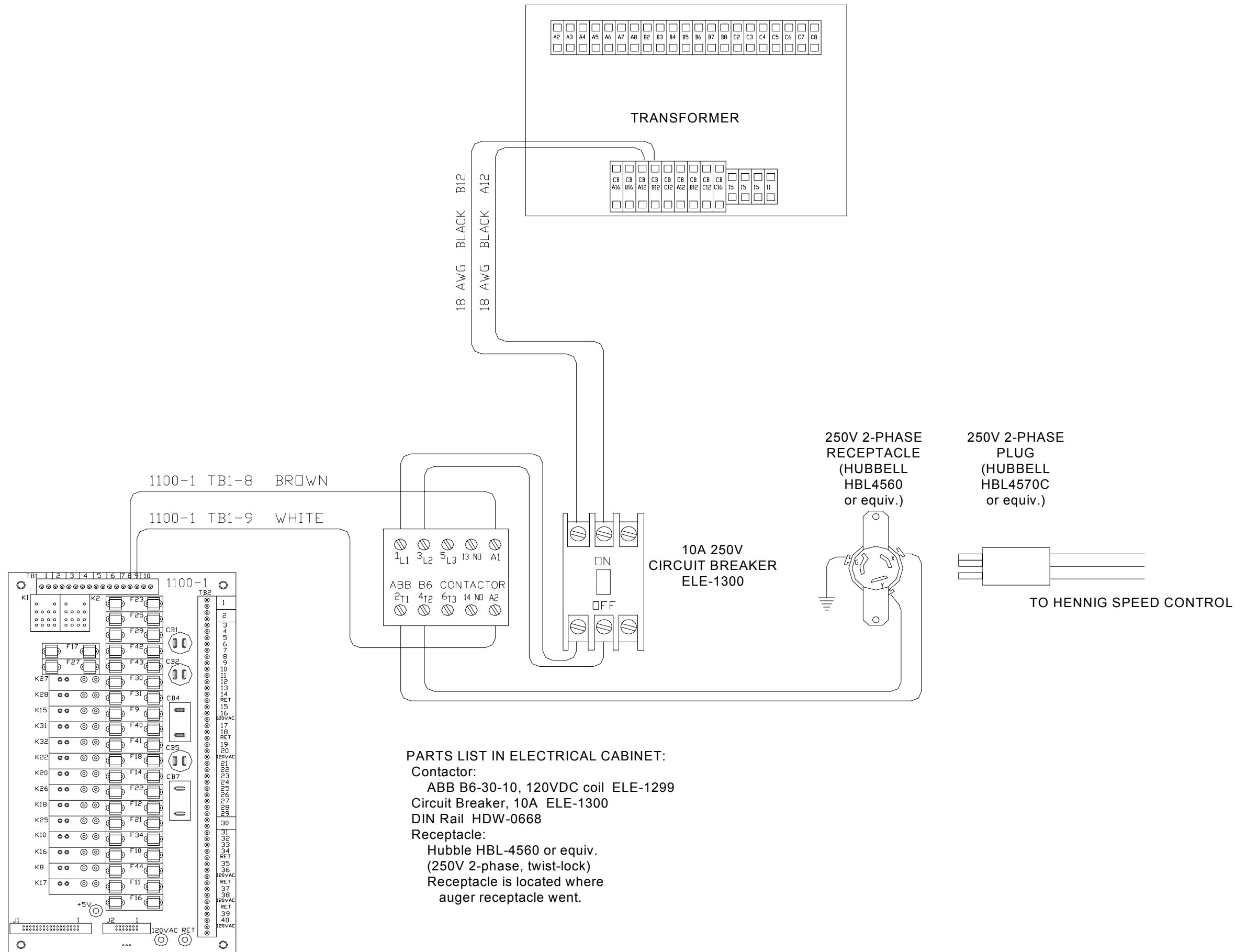
# **SECTION 10**

## **Chip Conveyor**

# WRG\_0045B\_CE\_wiring\_Hennig\_Chip\_Conveyor



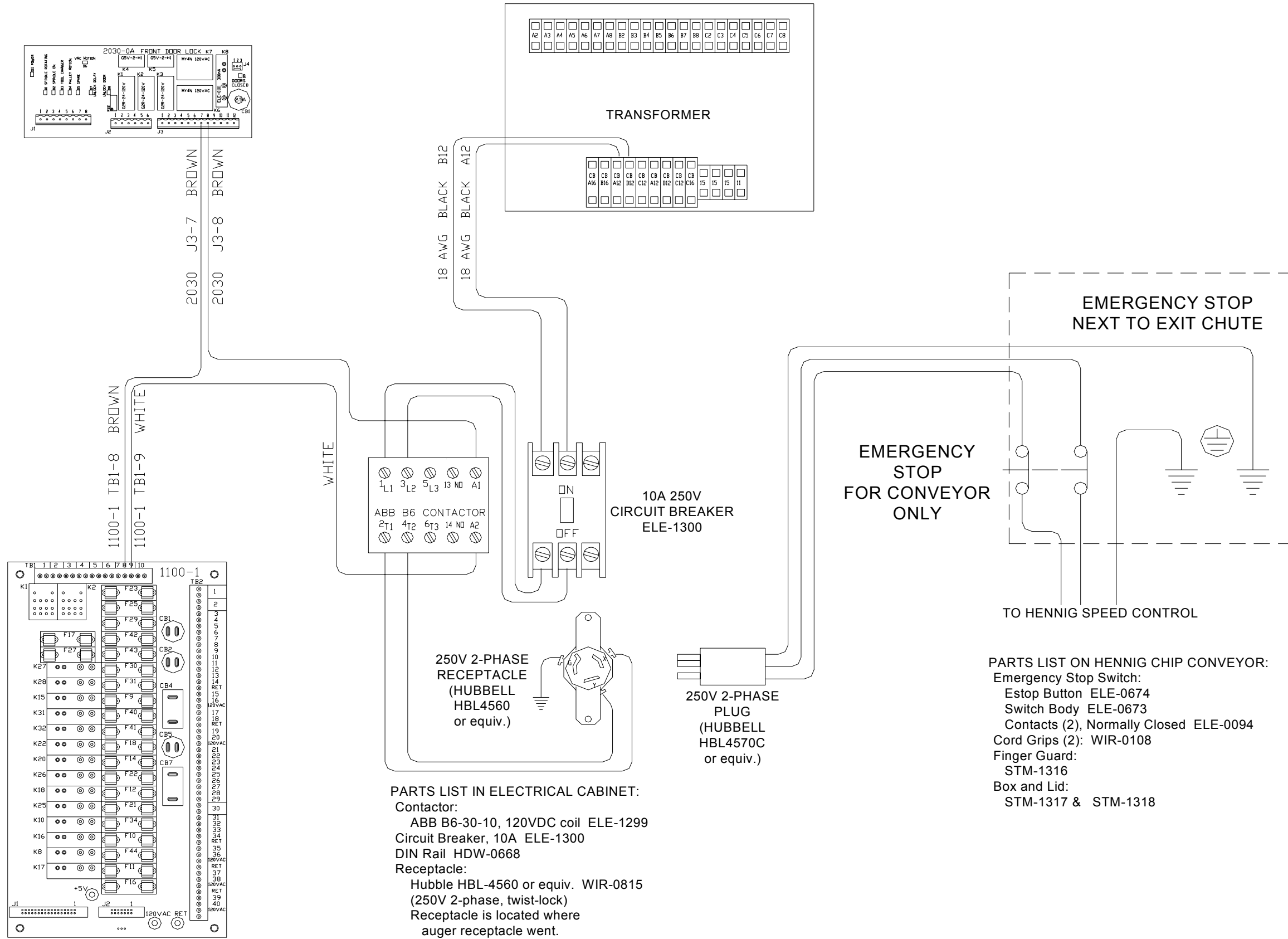
# WRG\_0062A\_US wiring\_Hennig\_Chip\_Conveyor



**PARTS LIST IN ELECTRICAL CABINET:**

- Contactor:  
ABB B6-30-10, 120VDC coil ELE-1299
- Circuit Breaker, 10A ELE-1300
- DIN Rail HDW-0668
- Receptacle:  
Hubbell HBL-4560 or equiv.  
(250V 2-phase, twist-lock)  
Receptacle is located where  
auger receptacle went.

# WRG\_0063A\_CE\_wiring\_Siemens\_Hennig\_Chip\_Conveyor



# WRG\_0083A\_sht1of2\_104D\_US wiring\_Hennig\_Chip\_Conveyor

**PARTS LIST IN ELECTRICAL CABINET:**

Contactor:  
 ABB B6-30-10, 120VDC coil ELE-1299  
 Circuit Breaker, 15A QOU315, ELE-1338  
 DIN Rail HDW-0668

Relay and Socket:  
 Omron MY4N, 120 VAC, ELE-0072  
 Omron PYF14A-E, ELE-1440

Receptacle:  
 Hubbell HBL-4560 or equiv. ELE-0815  
 (250V 2-phase, twist-lock)  
 Receptacle is located where  
 auger receptacle went.

