

# TABLE OF CONTENTS

## Parts Manual VMC 4525 MODEL



COLUMN ASSEMBLY .....	2
BASE ASSEMBLY .....	4
SADDLE ASSEMBLY .....	6
10K HEAD ASSEMBLY .....	8
DRAWBAR CYLINDER ASSEMBLY .....	10
ORIENTATION BRIDGE ASSEMBLY .....	11
IDLER ASSEMBLIES .....	12
WAYLUBE PUMP ASSEMBLY .....	13
DUAL ARM TOOL CHANGER .....	14
10K RPM SPINDLE ASSEMBLY .....	15
COOLANT THROUGH SPINDLE .....	16
COOLANT TANK ASSEMBLY .....	18
CARD CAGE ASSEMBLY .....	20
CNC CABINET ASSEMBLY .....	22
CE CNC CABINET .....	24
JUNCTION BOX .....	26
SHEETMETAL ASSEMBLY .....	28



This reference covers the following Fadal products:

Model VMC 4525

Corporate Office .....voice (818) 407-1400 ..... fax (818) 407-0020  
Service / Parts .....voice (818) 727-2100 ..... fax (818) 407-1004  
Programming Support .....voice (818) 727-2100 ..... fax (818) 407-0061

[support@fadal.com](mailto:support@fadal.com)

20701 Plummer Street Chatsworth California 91311 U.S.A.

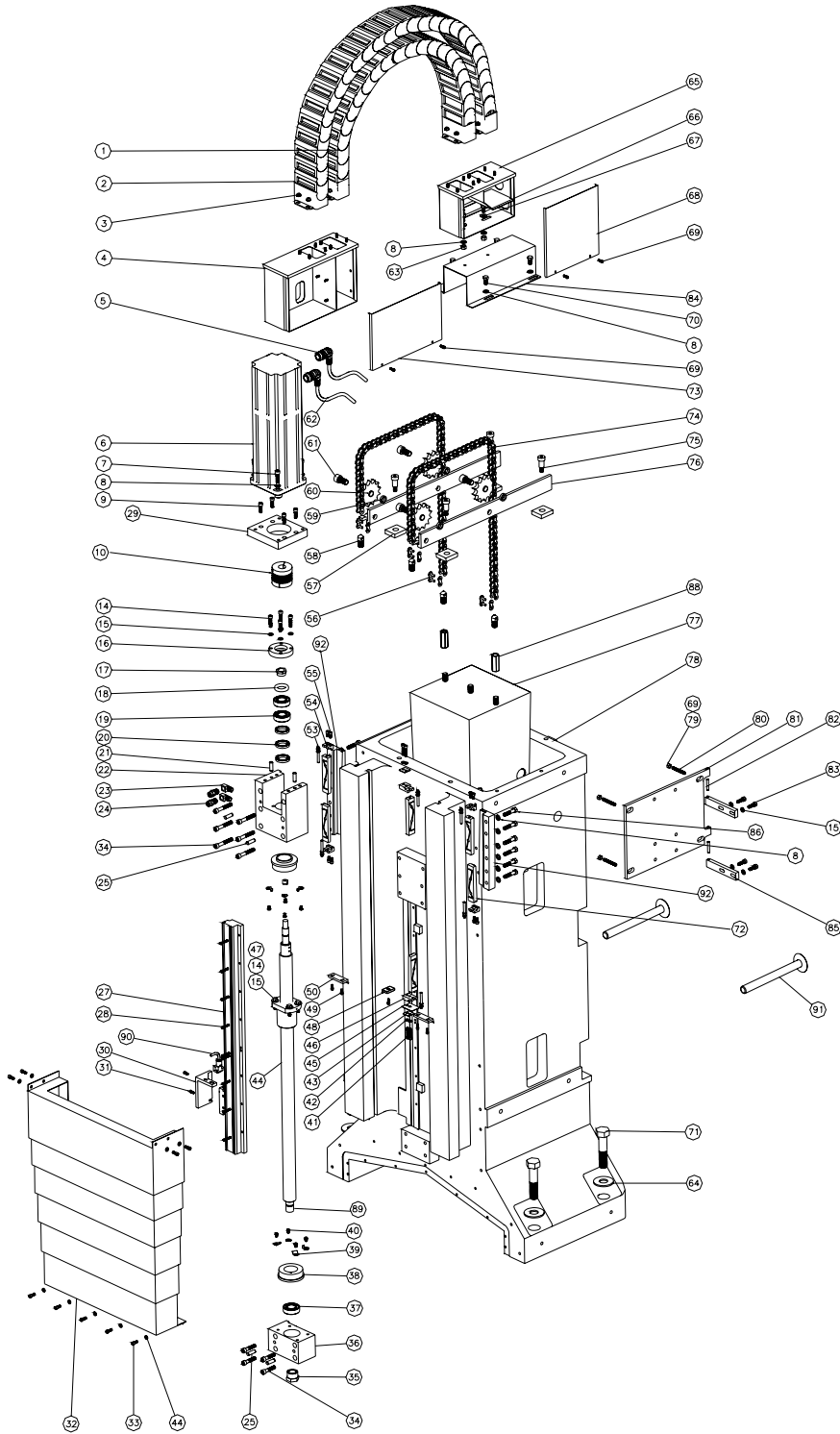
The content of this manual has been reviewed for accuracy and is applicable to current Fadal hardware and software products as described herein. Differences may exist and we cannot guarantee that they are completely covered in this document. The information in this document is reviewed regularly and any necessary changes will be incorporated in the next revision. We welcome any suggestions for improvement.

Material is subject to change without notice.

This manual is for the exclusive use of Fadal Customers and Distributors. The reproduction, transmission or use of this document or its contents is not permitted without the expressed written permission of Fadal Machining Centers. All rights, including rights created by patent grant or registration of a utility, model or design, are reserved.

© Copyright 2001 Fadal Machining Centers.

# COLUMN ASSEMBLY

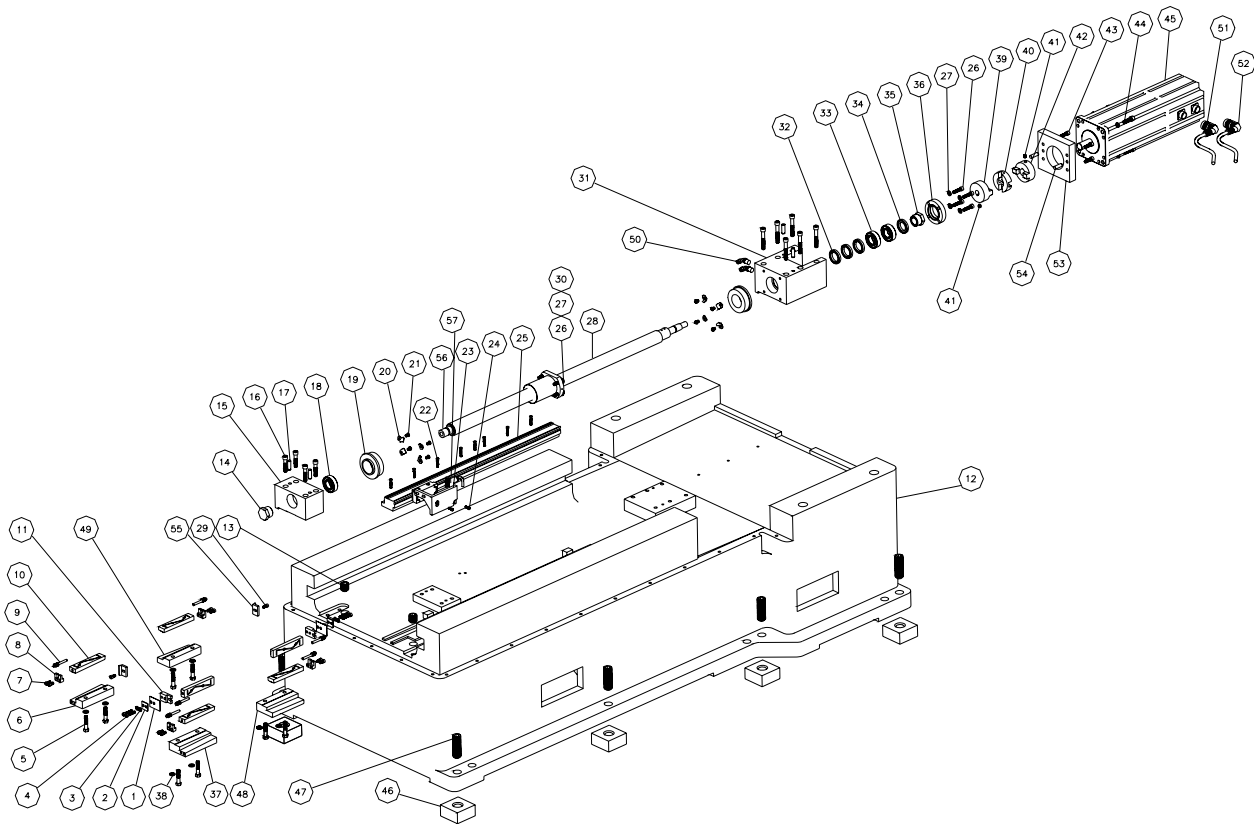


# COLUMN ASSEMBLY

## COLUMN ASSEMBLY

	PART #		PART #		PART #		PART #		PART #
1	CVR-0106	22	BLS-0247	43	STM-0042	64	HDW-1010	85	HDW-0931
2	CVR-0107	23	PLM-0073	44	BLS-0200	65	STM-0334	86	HDW-0570
3	HDW-0337	24	PLM-0088	45	HDW-0355	66	HDW-0562		
4	STM-0301	25	HDW-0330	46	GIB-0010	67	HDW-0049	88	HDW-0335
5	WIR-0611			47	PLM-0034	68	STM-0335	89	BLS-0243
6	MTR-0142	27	SCL-0089	48	CVR-0128	69	HDW-0633	90	SCL-0031
7	HDW-0779	28	HDW-0797	49	HDW-1016	70	HDW-0576	91	HDW-0100
8	HDW-0280	29	BLS-0245	50	CVR-0123	71	HDW-1009	92	GIB-0038
9	HDW-0481	30	SCL-0086			72	GIB-0037		
10	MTR-0189	31	HDW-0090			73	STM-0300		
		32	CVR-0117	53	GIB-0013	74	HDW-0999		
		33	HDW-0346	54	GIB-0012	75	HDW-0600		
		34	HDW-0474	55	HDW-0295	76	CWT-0025		
14	HDW-0315	35	BLS-0049	56	HDW-0204	77	CWT-0020		
15	HDW-0281	36	BLS-0246	57	HDW-0363	78	COL-0026		
16	BLS-0240	37	BRG-0022	58	CWT-0001	79	HDW-0640		
17	BLS-0047	38	BLS-0197	59	CWT-0021	80	HDW-0952		
18	HDW-0210	39	STM-0905	60	PUL-0034	81	STM-0705		
19	BRG-0024	40	HDW-0347	61	HDW-0777	82	HDW-0330		
20	HDW-0213	41	HDW-0296	62	WIR-0162	83	HDW-0314		
21	HDW-0619	42	HDW-0279	63	HDW-0333	84	STM-0919		

# BASE ASSEMBLY



### BASE ASSEMBLY

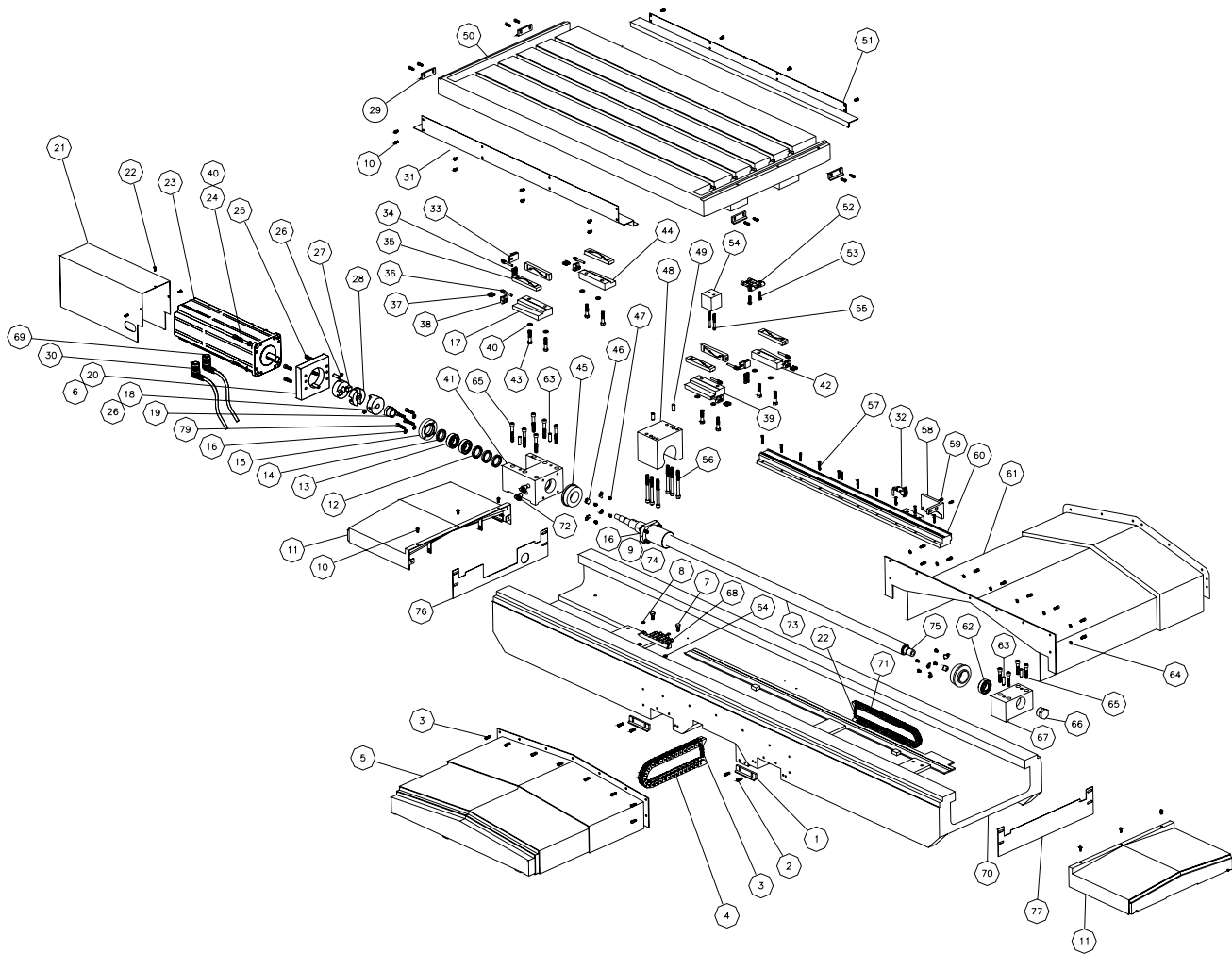
	PART #		PART #		PART #		PART #		PART #
1	HDW-0355	13	HDW-0434	25	SCL-0096	37	GIB-0027	49	GIB-0025
2	STM-0042	14	BLS-0049	26	HDW-0315	38	HDW-0280	50	PLM-0112
3	HDW-0279	15	BLS-0246	27	HDW-0281	39	MTR-0157	51	WIR-0663
4	HDW-0296	16	HDW-0474	28	BLS-0261	40	MTR-0156	52	WIR-0664
5	HDW-0569	17	HDW-0330	29	HDW-1016	41	HDW-0419	53	BLS-0245
6	GIB-0026	18	BRG-0022	30	PLM-0034	42	MTR-0158	54	HDW-0619
7	HDW-0295	19	BLS-0197	31	BLS-0247	43	HDW-0481	55	CVR-0128
8	GIB-0012	20	STM-0905	32	HDW-0213	44	HDW-0779	56	BLS-0266
9	GIB-0013	21	HDW-0347	33	BRG-0024	45	MTR-0142	57	SCL-0031
10	GIB-0033	22	HDW-0797	34	HDW-0210	46	PLC-0063		
11	GIB-0010	23	SCL-0085	35	BLS-0047	47	HDW-0432		
12	BAS-0032	24	HDW-0090	36	BLS-0240	48	GIB-0028		



This page intentionally left blank.



# SADDLE ASSEMBLY





# SADDLE ASSEMBLY

## SADDLE ASSEMBLY

	PART #		PART #		PART #		PART #		PART #
1	CVR-0122	17	GIB-0027	33	GIB-0011	49	HDW-0622	65	HDW-0474
2	HDW-1016	18	MTR-0157	34	HDW-0296	50	TBL-0032	66	BLS-0049
3	HDW-0581	19	BLS-0047	35	GIB-0033	51	STM-1036	67	BLS-0246
4	CVR-0116	20	BLS-0245	36	GIB-0013	52	LUB-0044	68	LUB-0043
5	CVR-0143	21	CVR-0126	37	HDW-0295	53	HDW-0318	69	WIR-0677
6	HDW-0619	22	HDW-0349	38	GIB-0013	54	SCL-0084	70	SDL-0059
7	HDW-0576	23	MTR-0142	39	GIB-0028	55	HDW-0489	71	CVR-0176
8	HDW-0047	24	HDW-0779	40	HDW-0280	56	HDW-0477	72	PLM-0112
9	HDW-0281	25	HDW-0481	41	BLS-0247	57	HDW-0797	73	BLS-0260
10	HDW-0346	26	HDW-0419	42	GIB-0025	58	SCL-0085	74	PLM-0034
11	CVR-0142	27	MTR-0158	43	HDW-0569	59	HDW-0090	75	BLS-0265
12	HDW-0213	28	MTR-0156	44	GIB-0026	60	SCL-0097	76	STM-1040
13	BRG-0024	29	CVR-0124	45	BLS-0197	61	CVR-0144	77	STM-1041
14	HDW-0210	30	WIR-0676	46	STM-0905	62	BRG-0022		
15	BLS-0240	31	STM-1035	47	HDW-0347	63	HDW-0330		
16	HDW-0315	32	SCL-0095	48	BLS-0244	64	HDW-0279		



# 10K HEAD ASSEMBLY

## 10,000 RPM HEAD ASSEMBLY

	PART #		PART #		PART #		PART #
1	HDW-0851	22	GIB-0001 <sup>(1)</sup>	47	HDW-0181	71	DRB-0000
2	STM-0139	26	GIB-0004 <sup>(1)</sup>	48	HDW-0148	72	HDW-0279
3	ELE-0124	27	HDW-0791	49	HDW-0177	73	HDW-0320
4	MTR-0123	28	HDW-0280	50	SPN-0042	74	HDW-0321
5	WIR-0168	29	CVR-0048	51	HDW-0275	75	HDW-0279
6	MTR-0058	30	HDW-0279	52	HDW-0568	76	HYD-0017
7	STM-0148	31	HDW-0322	53	PLM-0075	77	HDW-0279
8	ENC-0007	32	HDW-0356	54	PLM-0088	78	HDW-0320
9	HDW-0369	33	STM-0052	55	HDW-0576	79	MTR-0127
10	MTR-0069	34	HDW-0279	56	HDW-0279	80	SVT-0108
11	MTR-0149	35	HDW-0319	57	LUB-0045	81	STM-0467
12	IDL-0003	36	VLV-0017	58	HDW-0047	82	HDW-0597
13	BEL-0015	37	PLM-0016	59	STM-0142	83	MTR-0128
14	HDW-0451	38	CNT-0039	60	HDW-0279	84	MTR-0047 <sup>(3)</sup>
15	HDW-0311	39	HDW-0355	61	HDW-0322	85	STM-1002
16	HDW-0283	40	STM-0042	64	BEL-0014	86	STM-0064
17	MTR-0068	41	HDW-0279	65	PUL-0018	87	HYD-0018
	MTR-0064	42	HDW-0294	66	BEL-0003	88	HDW-0553
18	HDW-0294	43	PLM-0112	67	PUL-0019	89	HDW-0194
19	HDW-0279	44	PLM-0034	68	ORB-0001	90	WIR-0128
20	GIB-0013	45	HDW-0470	69	HDW-0290	91	STM-1015
21	GIB-0010	46	SPN-0007 <sup>(2)</sup>	70	HDW-0284	92	STM-1016

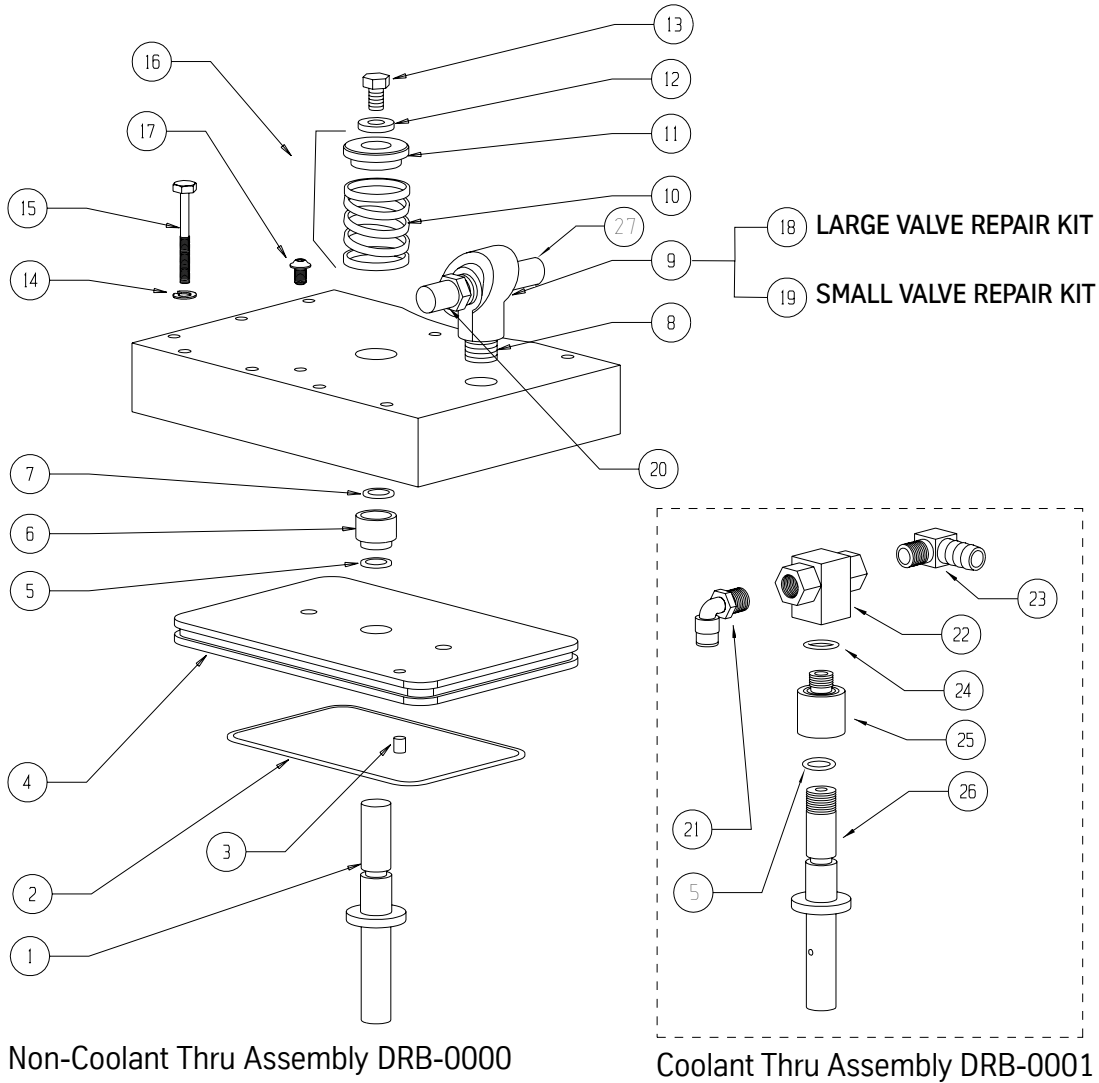
<sup>1</sup>Specify gib size when ordering.

<sup>2</sup>SPN-0007 Includes: HDW-0181, HDW-0177, HDW-0148, PUL-0018.

<sup>3</sup>MTR-0047 and MTR-0043 include PUL-0019.

HT=High Torque

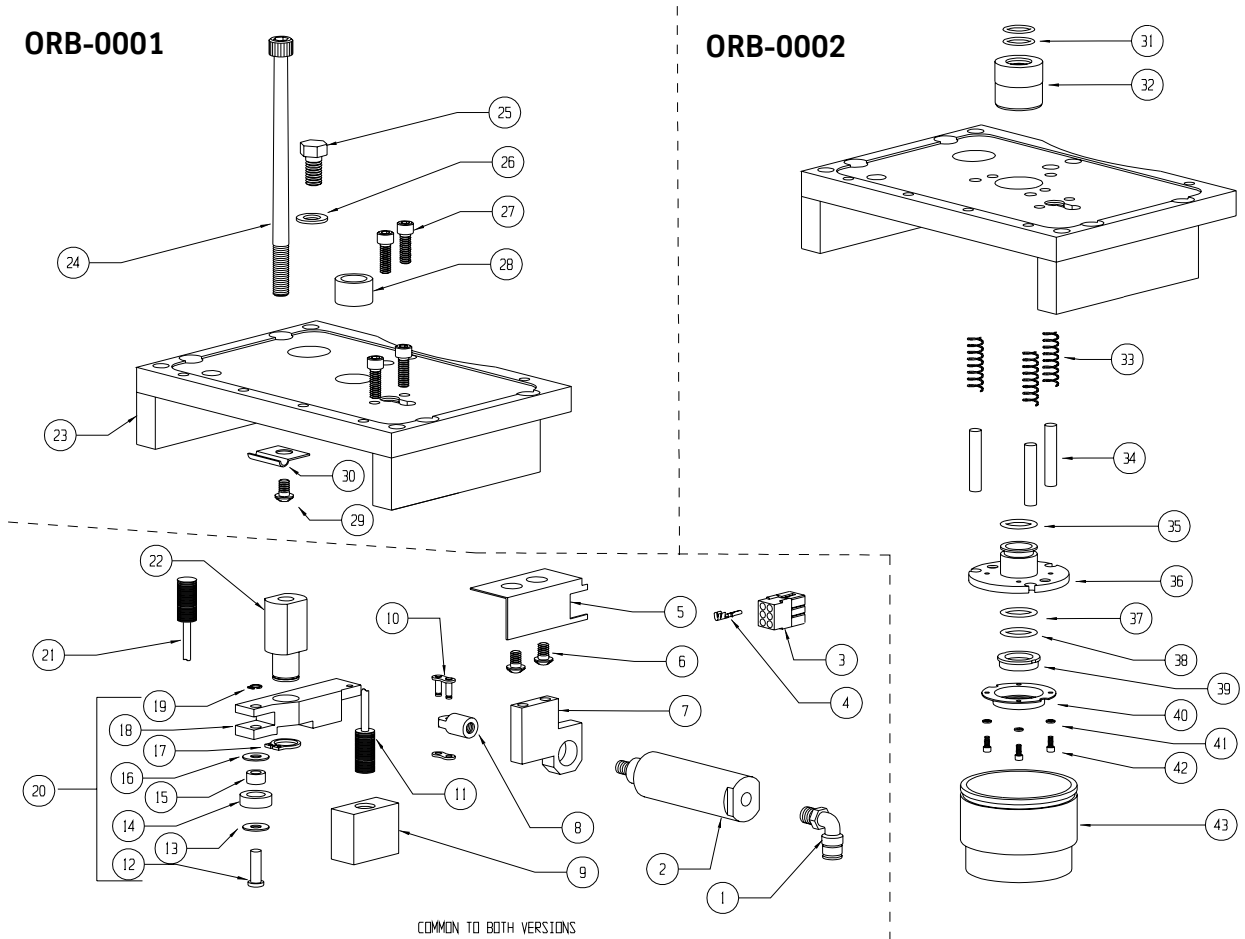
# DRAWBAR CYLINDER ASSEMBLY



## DRAWBAR CYLINDER ASSEMBLIES

	PART #		PART #		PART #		PART #
1	DRB-0007	8	PLM-0117	15	HDW-0320	22	VLV-0021
2	HDW-0178	9	VLV-0031	16	HDW-0197	23	PLM-0105
3	ELE-0147	10	HDW-0262	17	HDW-0347	24	HDW-0150
4	DRB-0009 <sup>(1)</sup>	11	DRB-0017	18	VLV-0032	25	CNT-0046
5	HDW-0177	12	HDW-0048	19	VLV-0033	26	DRB-0008
6	DRB-0023	13	HDW-0575	20	PLM-0083	27	PLM-0030
7	HDW-0917	14	HDW-0279	21	PLM-0037		

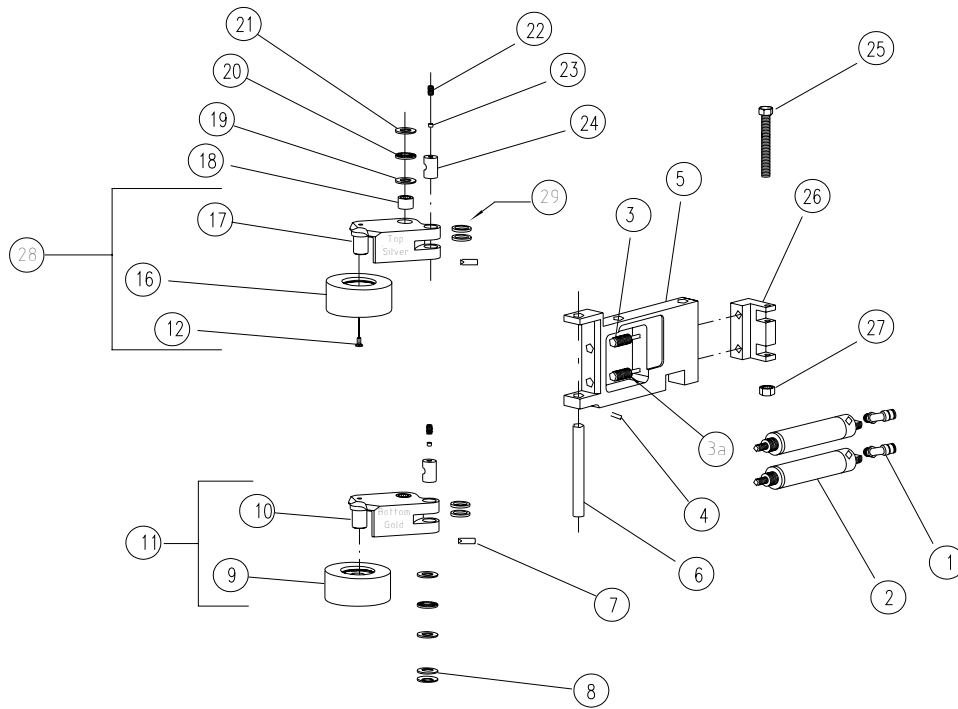
# ORIENTATION BRIDGE ASSEMBLY



## ORIENTATION BRIDGE ASSEMBLIES

	PART#		PART#		PART#		PART#		PART#
1	PLM-0034	8	ORB-0011	18	ORB-0031	28	BRG-0008	38	HDW-0156
2	CYL-0007	9	ORB-0014	19	HDW-0726	29	HDW-0349	39	CNT-0033
3	WIR-0051	10	HDW-0209	20	ORB-0004	30	LUB-0077	40	CNT-0045
4	WIR-0043 (16 AWG)	11	ELE-0145	21	ELE-0145	31	HDW-0150	41	HDW-0453
	WIR-0044 (16 AWG)	12	ORB-0007	22	ORB-0013	32	CNT-0042	42	HDW-0308
	WIR-0544 (22 AWG)	13	HDW-0515	23	ORB-0008	33	HDW-0257	43	CNT-0140
	WIR-0056 (22 AWG)	14	ORB-0009	24	HDW-0285	34	HDW-0326		
5	STM-0596	15	BRG-0014	25	HDW-0571	35	HDW-0156		
6	HDW-0347	16	HDW-0515	26	HDW-0048	36	CNT-0041		
7	ORB-0030	17	HDW-0725	27	HDW-0298	37	HDW-0155		

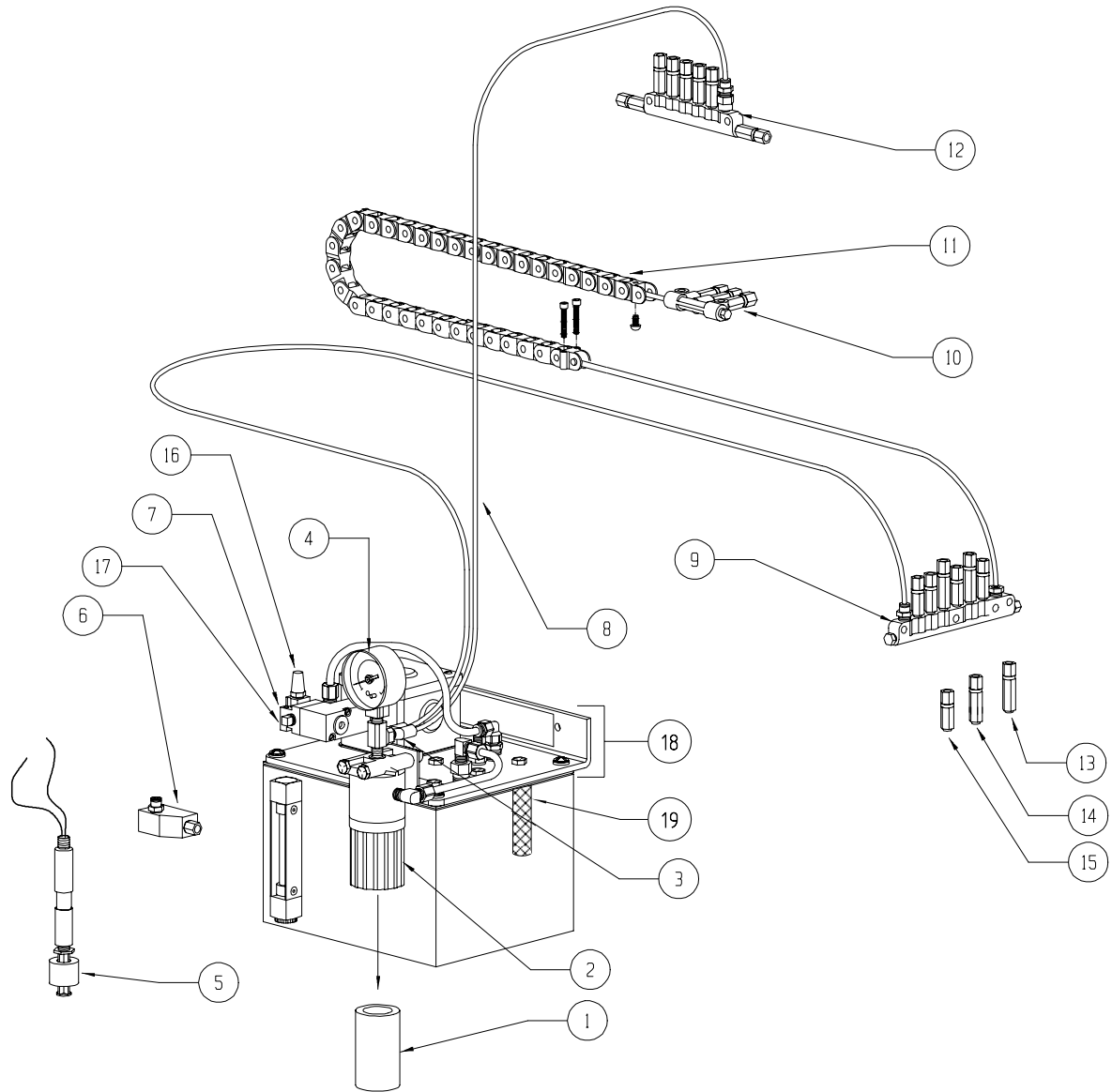
# IDLER ASSEMBLIES



**10,000 RPM OPTION**

	PART #		PART #		PART #
1	PLM-0034	10	IDL-0004	21	BRG-0016
2	CYL-0006	11	IDL-0000	22	HDW-0412
3	ELE-0145	12	HDW-0605	23	IDL-0010
3a	ELE-1202			24	IDL-0012
4	HDW-0612			25	HDW-0579
5	IDL-0011	16	BRG-0058	26	IDL-0008
6	IDL-0006	17	IDL-0005	27	HDW-0643
7	ELE-0147	18	BRG-0017	28	IDL-0018
8	HDW-0196	19	BRG-0016	29	HDW-0277
9	BRG-0058	20	BRG-0015		

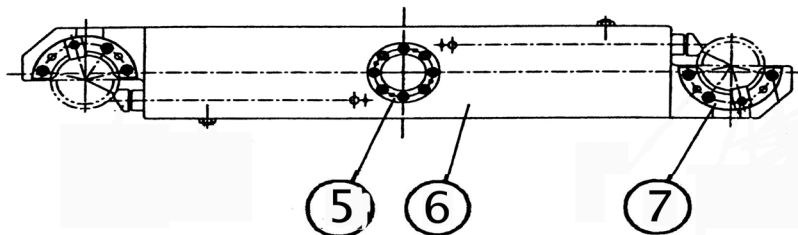
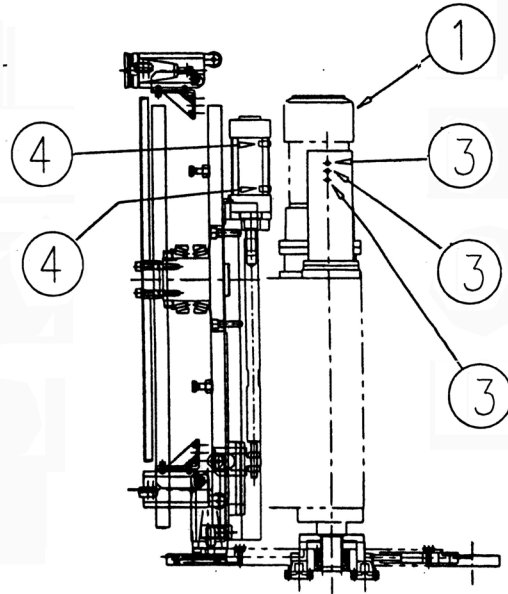
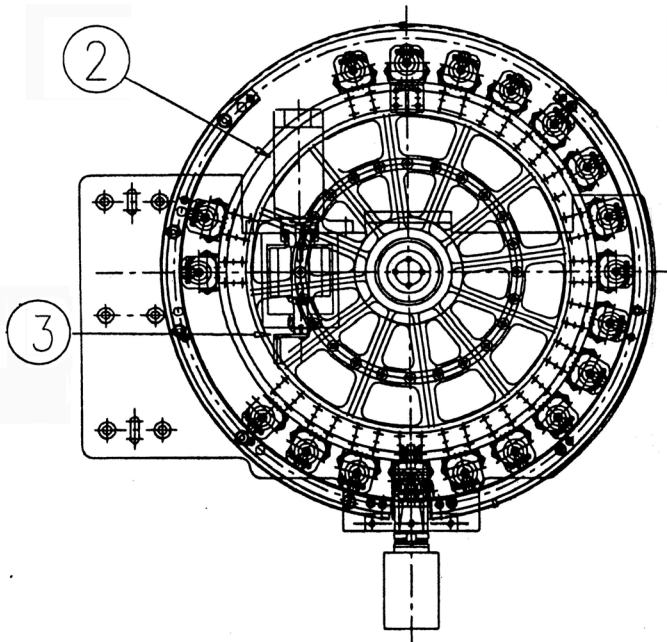
# WAYLUBE PUMP ASSEMBLY



**WAYLUBE PUMP ASSEMBLY**

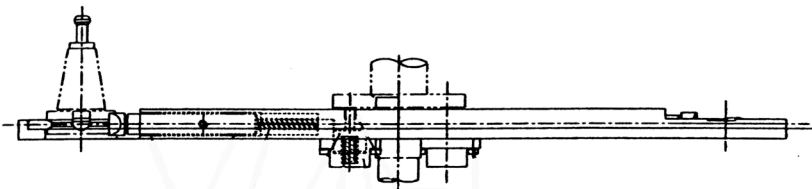
	PART #		PART #		PART #		PART #
1	LUB-0049	7	VLV-0028	13	LUB-0085	19	HDW-1039
2	LUB-0050	8	PLM-0022	14	LUB-0084		
3	PLM-0048	9	LUB-0041	15	LUB-0083		
4	REG-0018	10	LUB-0044	16	PLM-0084		
5	LUB-0036	11	CVR-0041	17	PLM-0036		
6	LUB-0051	12	LUB-0045	18	LUB-0038		

# DUAL ARM TOOL CHANGER



DUAL ARM TOOL CHANGER

	PART #
1	MTR-0181
2	MTR-0180
3	ELE-1185
4	ELE-1186
5	ATC-0155
6	ATC-0164
7	(BT) ATC-0163
7	(BT) ATC-0165





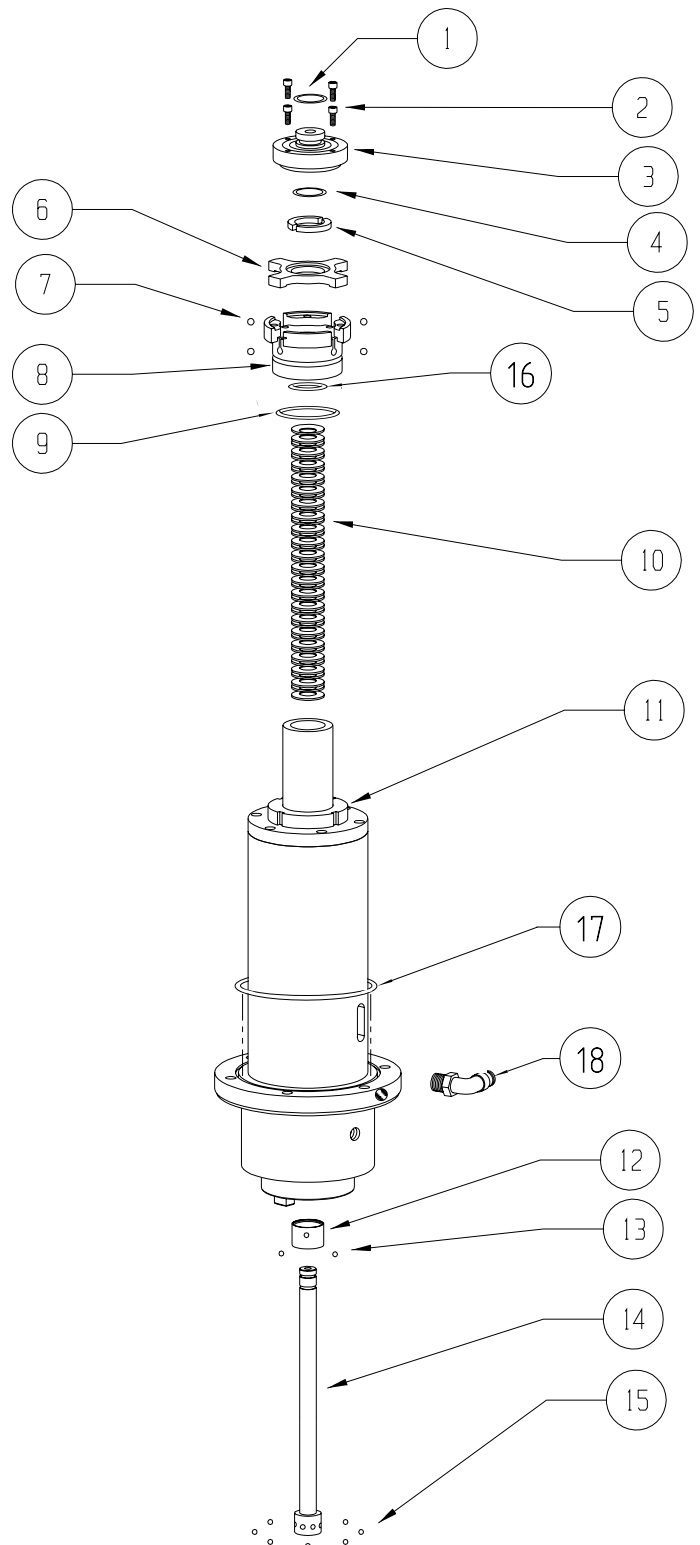
# 10K RPM SPINDLE ASSEMBLY

**10,000 RPM SPINDLE ASSEMBLY**

	PART #
1	HDW-0177
2	HDW-0307
3	DRB-0015
4	HDW-0180
5	DRB-0019
6	DRB-0014
7	BRG-0004
8	DRB-0016
9	HDW-0158
10	HDW-0195
11	SPN-0084
12	DRB-0004
13	BRG-0005
14	DRB-0026 <sup>(1)</sup>
15	BRG-0005
16	HDW-0155
17	HDW-0181
18	PLM-0034
ASSY SPN-0007 <sup>(2)</sup>	

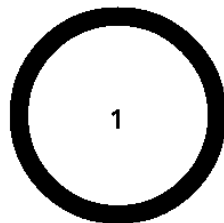
<sup>1</sup>Not sold separately. Sold with assembly DRB-0003 (includes pieces 1-9, 14 & 15).

<sup>2</sup>Assembly includes all parts listed on this page plus PUL-0020.



# COOLANT THROUGH SPINDLE

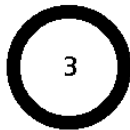
CNT-0015, Coolant-thru Seal Conversion Kit  
 CNT-0150, Seal Repair Kit



1  
HDW-0158



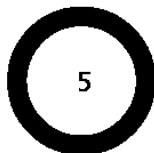
2  
HDW-0177



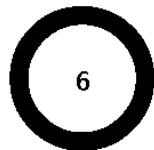
3  
HDW-0150



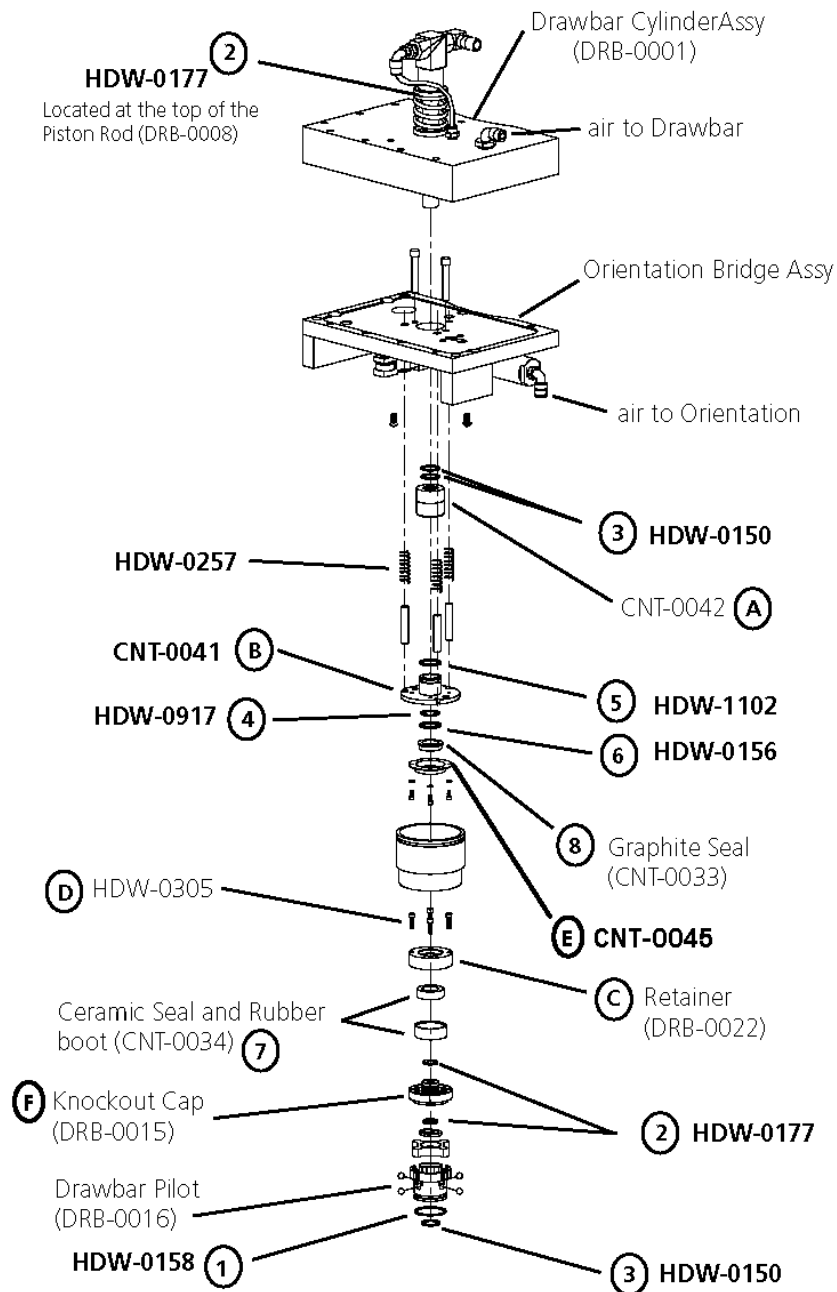
4  
HDW-0917



5  
HDW-1102



6  
HDW-0156



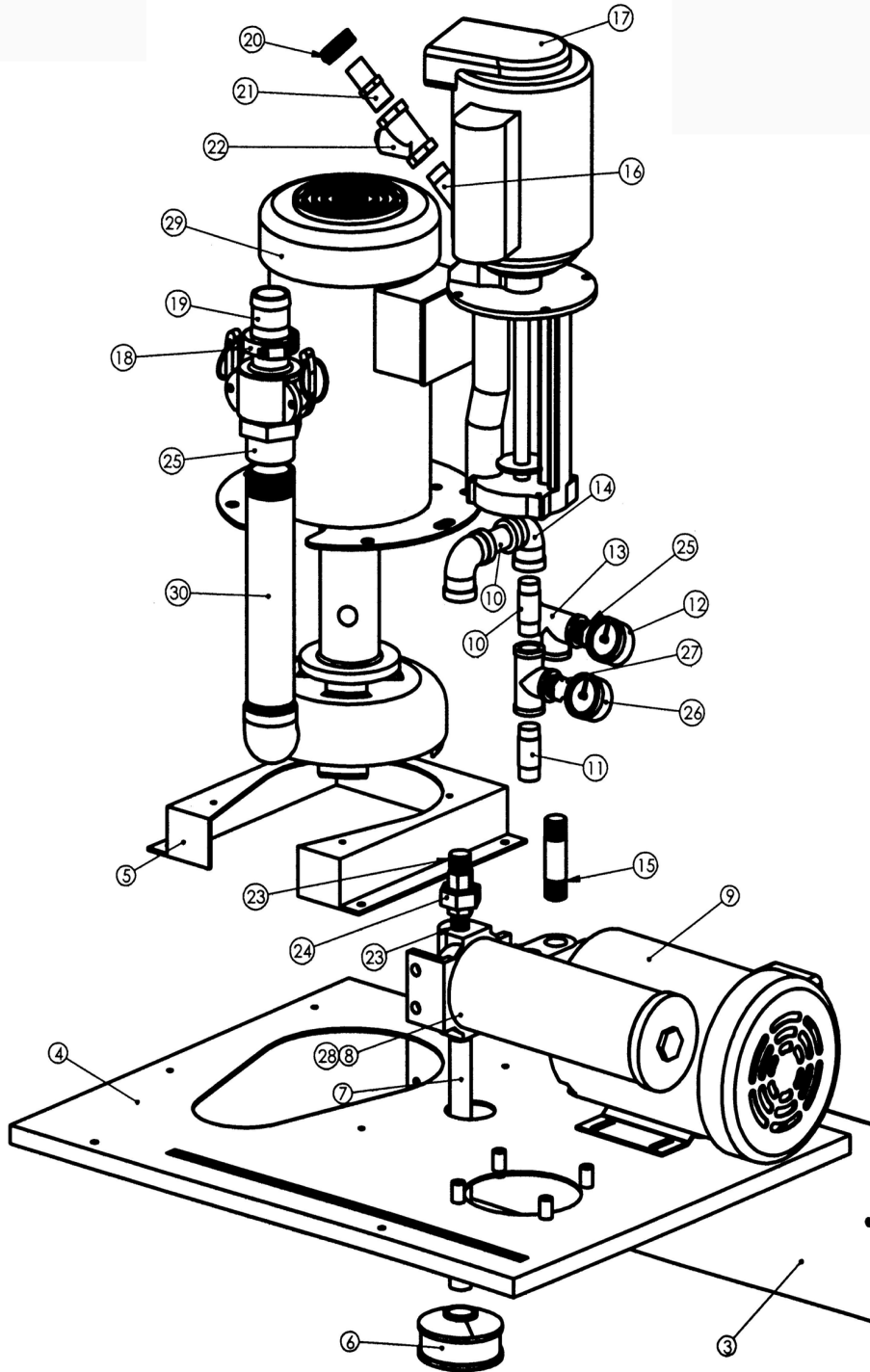
CNT-0150 O'RINGS AND SEALS ONLY (1-8)  
 CNT-0015 FOR CONVERTING OLDER MODELS (1-8  
 AND A-F)



This page intentionally left blank.



# COOLANT TANK ASSEMBLY

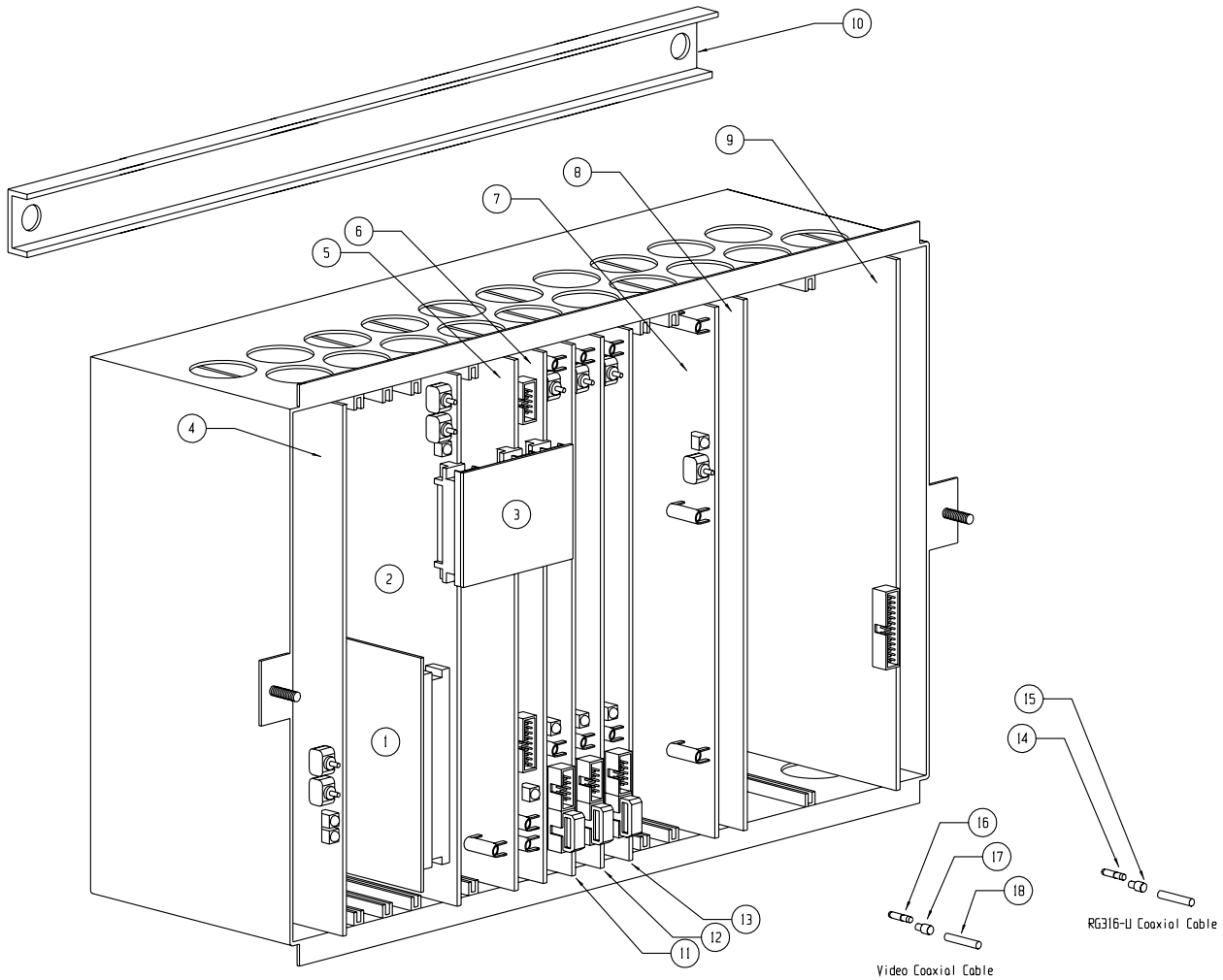


# COOLANT TANK ASSEMBLY

## COOLANT TANK ASSEMBLY

	PART #		PART #		PART #		PART #
1		9	PMP-0008	17	PMP-0017	25	PLM-0217
2		10	PLM-0060	18	HDW-0764	26	PLM-0216
3		11	PLM-0094	19	PLM-0021	27	REG-0034
4		12	REG-0018	20	HDW-0252	28	CNT-0029
5	STM-1023	13	PLM-0089	21	PLM-0076	29	PMP-0010
6	CNT-0025	14	PLM-0067	22	VLV-0018	30	PLM-0065
7	PLM-0233	15	PLM-0214	23	PLM-0091		
8	CNT-0027	16	PLM-0007	24	PLM-0212		

# CARD CAGE ASSEMBLY



# CARD CAGE ASSEMBLY

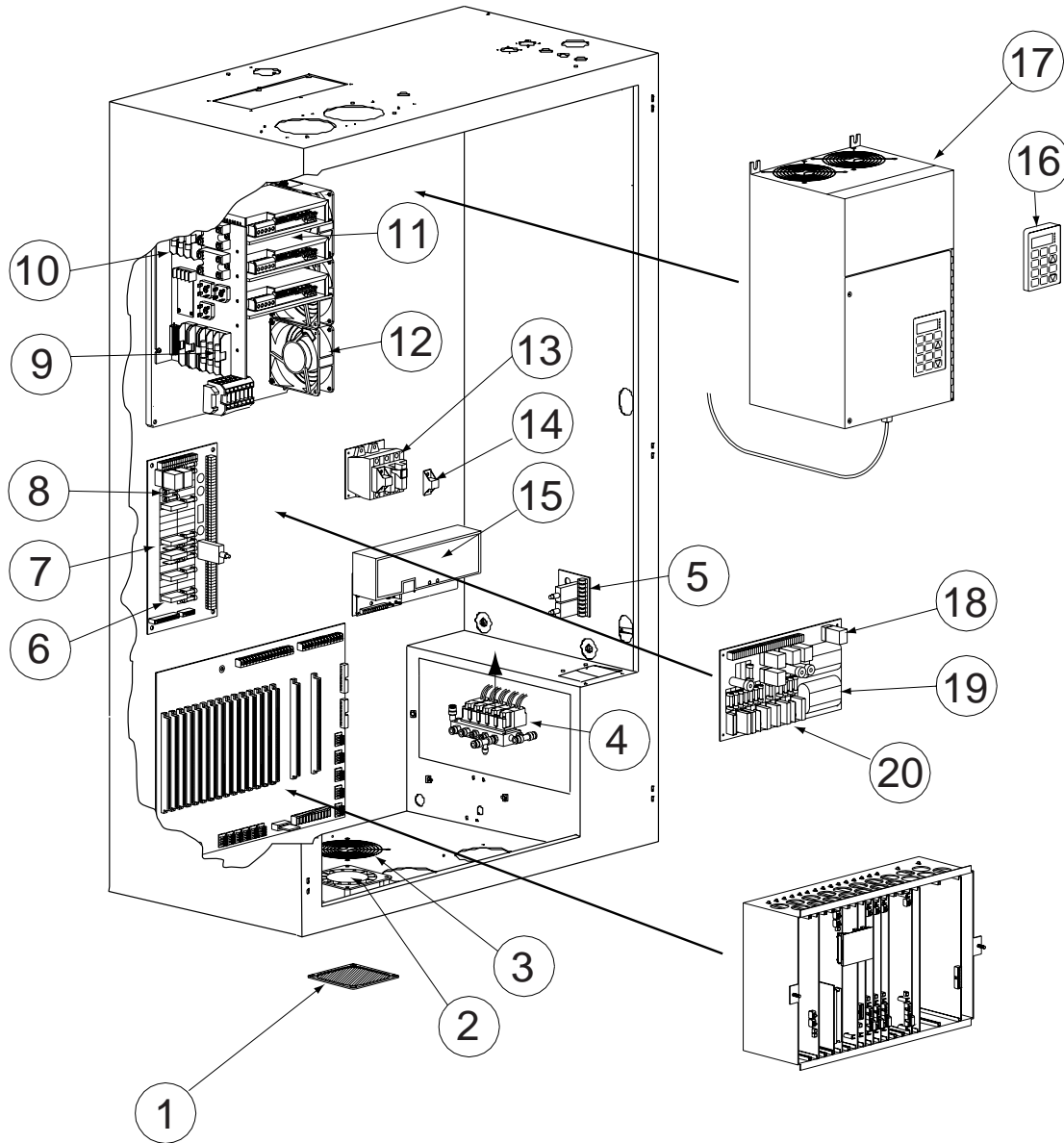
## CARD CAGE ASSEMBLY PARTS

	PART #		PART #
1	PCB-0094	8	PCB-0000
2	PCB-0030	9	PCB-0009
3	PCB-0053	10	STM-0029
4	PCB-0045	11	WIR-0040
5	PCB-0032 (88HS)	12	WIR-0041
	PCB-0033 (32MP)	13	WIR-0038
6	PCB-0003	14	WIR-0039
7	PCB-0141	15	WIR-0086

## SLOTS & BOARDS

SLOT	BOARD #	SLOT	BOARD #
1	PCB-0045	10	PCB-0037
2		11	PCB-0037
3		12	
4		13	
5	PCB-0030	14	PCB-0141
6		15	PCB-0000
7		16	PCB-0008
8	PCB-0003	17	PCB-0005
9	PCB-0037		

# CNC CABINET ASSEMBLY



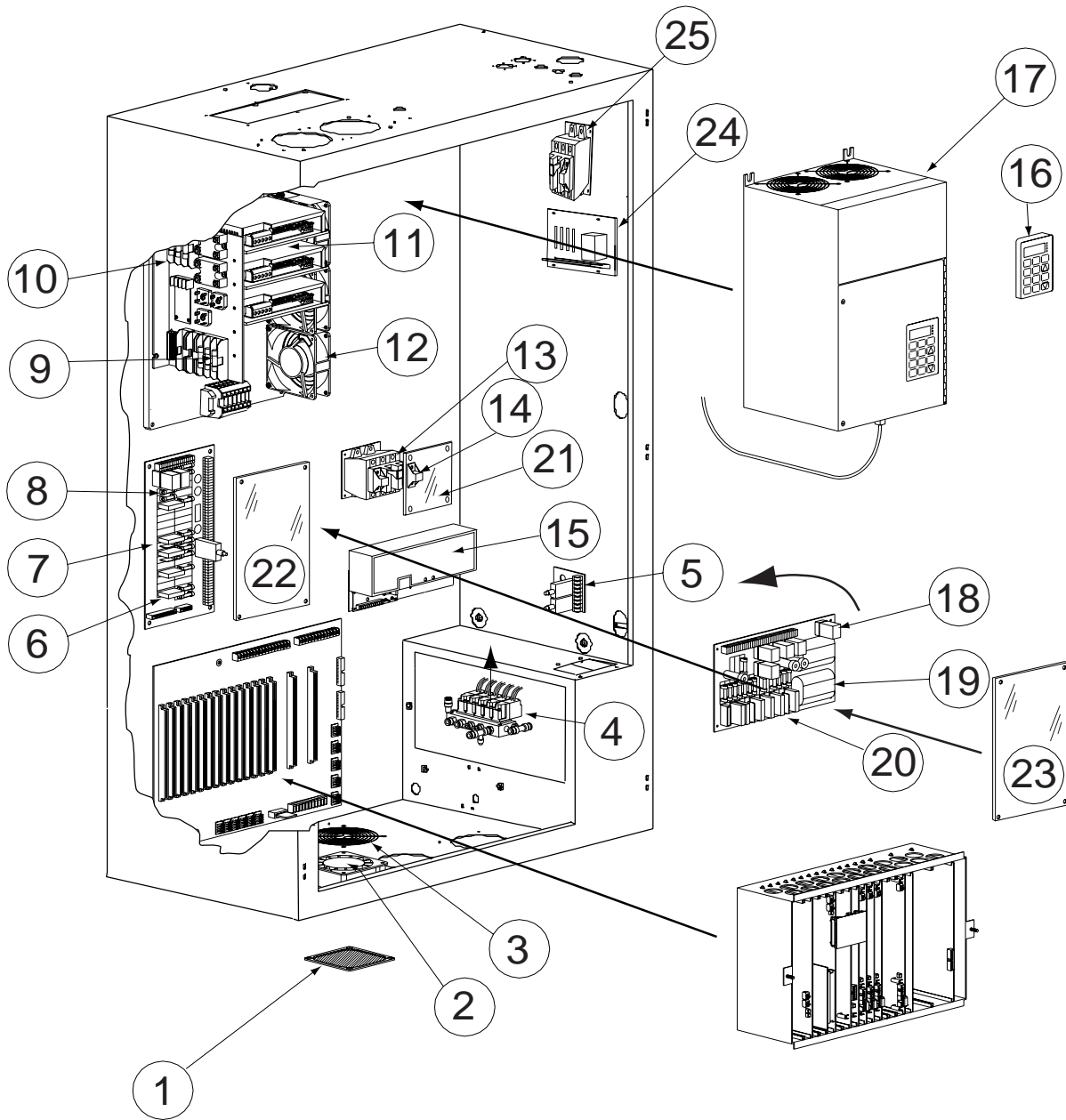


# CNC CABINET ASSEMBLY

## CNC CABINET

	PART #		PART #
1	HDW-0849	11	AMP-0036
2	ELE-0123	12	ELE-0123
3	HDW-0850	13	ELE-0132
4	VLV-0054	14	ELE-0138
5	PCB-0046	15	ELE-0961
6	ELE-0070	16	INV-0017 (BALDOR)
7	PCB-0194	17	INV-0056 (AMC)
8	ELE-0101		INV-0020 (HT)
9	ELE-0840		INV-0020 (HT)
10	ELE-0837	18	ELE-0072
		19	PCB-0195
		20	ELE-0070

# CE CNC CABINET

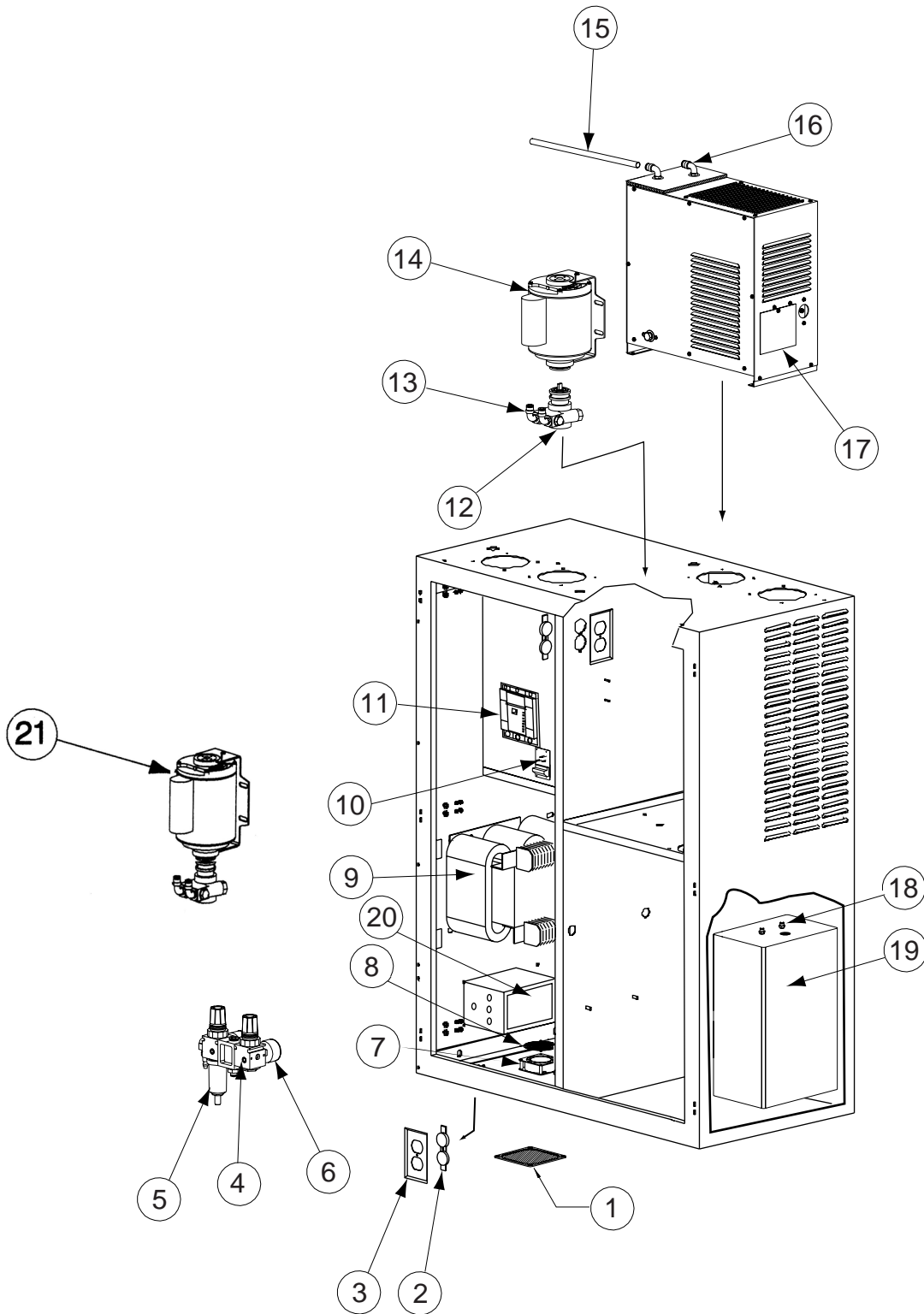


# CE CNC CABINET

## CE CNC CABINET

	PART #		PART #		PART #
1	HDW-0849	13	ELE-0132	24	PCB-0196
2	ELE-0123	14	ELE-0138	25	ELE-1025
3	HDW-0850	15	ELE-0961		
4	VLV-0054	16	INV-0017 (BALDOR)		
5	PCB-0046	17	INV-0056 (AMC)		
6	ELE-0070		INV-0041 (BALDOR)		
7	PCB-0194	18	ELE-0072		
8	ELE-0101	19	PCB-0195		
9	ELE-0840	20	ELE-0070		
10	ELE-0837	21	ELE-0349		
11	AMP-0036	22	ELE-0849		
12	ELE-0123	23	ELE-0848		

# JUNCTION BOX

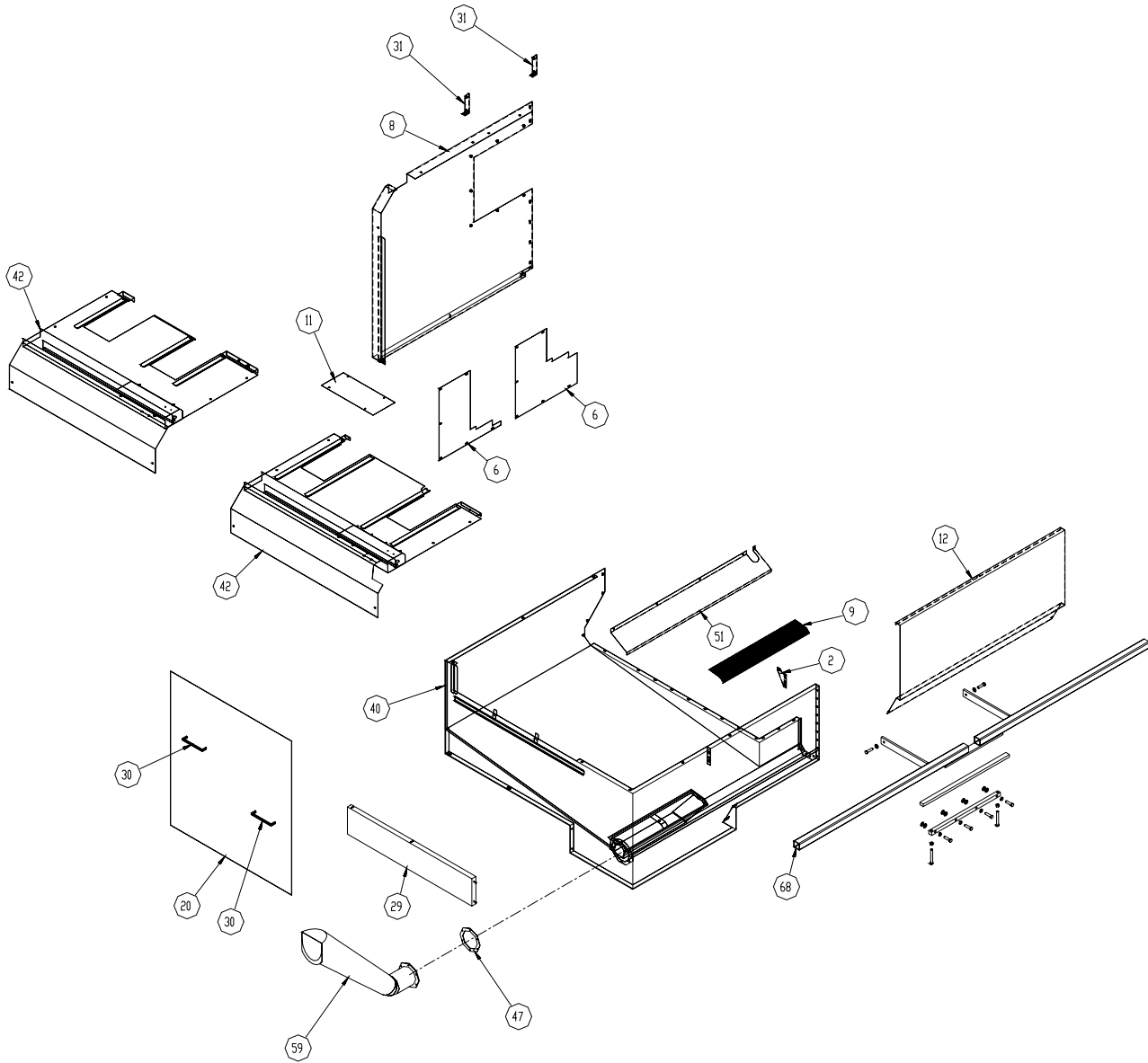


# JUNCTION BOX

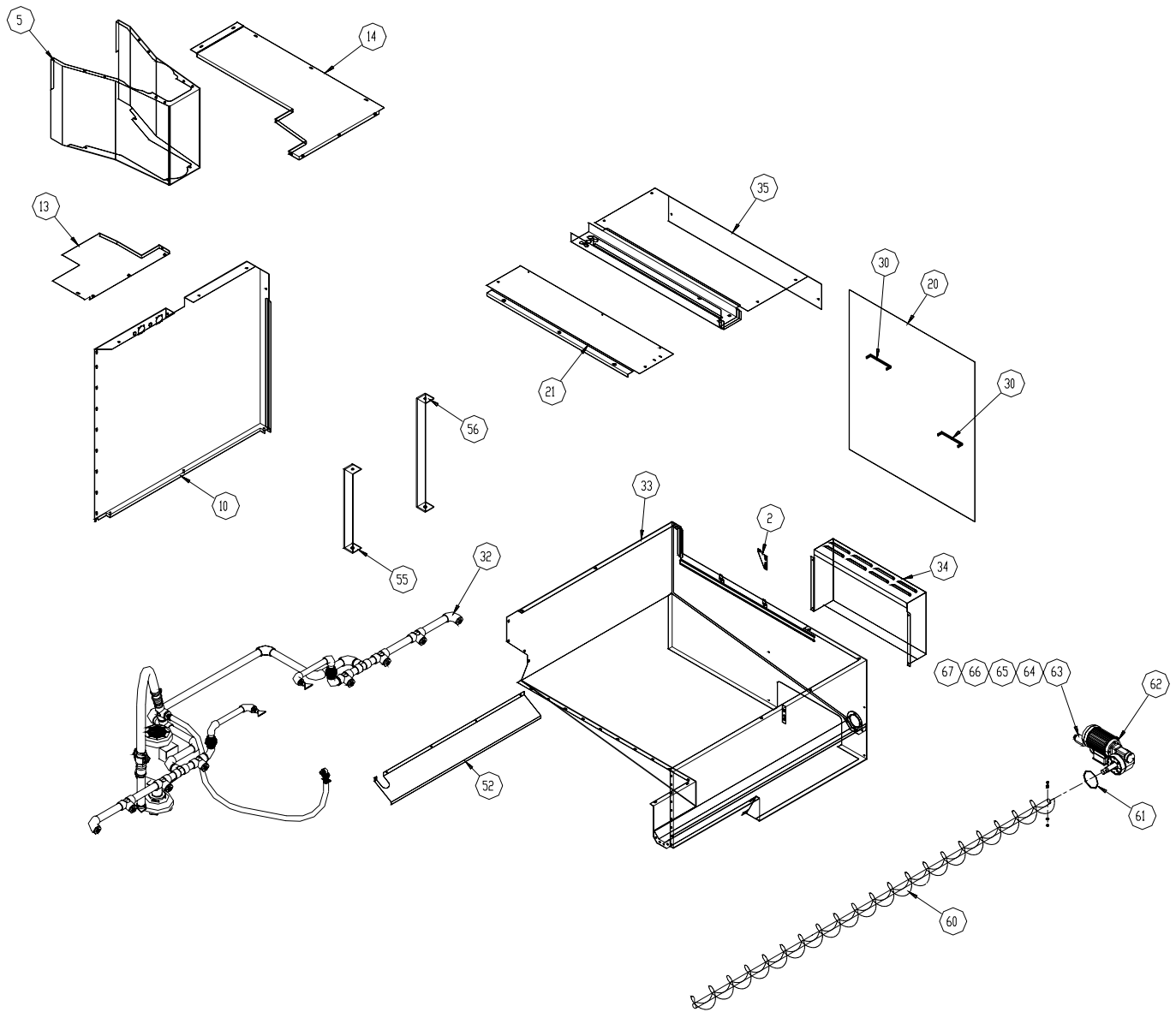
## JUNCTION BOX

	PART #		PART #
1	HDW-0849	12	PMP-0000
2	WIR-0121	13	PLM-0042
3	WIR-0117	14	PMP-0029
4	REG-0009	15	PLM-0024
5	REG-0008	16	PLM-0042
6	REG-0005	17	CNT-0035
7	ELE-0123	18	PLM-0210
8	HDW-0850	19	CNT-0047
9	ELE-0200	20	ELE-0762*
10	PCB-0020	21	PMP-0034
11	ELE-0946		

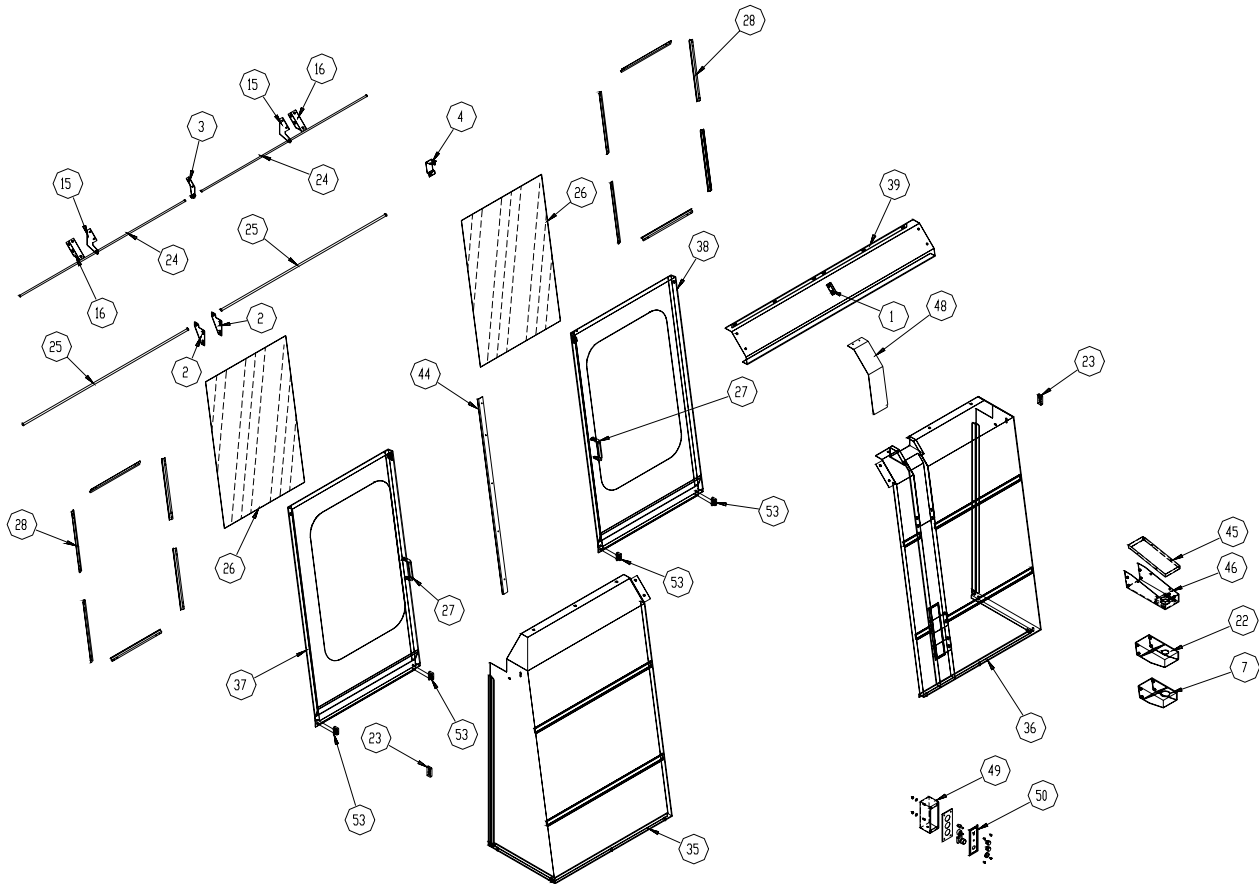
# SHEETMETAL ASSEMBLY



# SHEETMETAL ASSEMBLY



# SHEETMETAL ASSEMBLY



**SHEETMETAL ASSEMBLY**

	PART #		PART #		PART #		PART #		PART #
1	STM-0847	14	STM-0997	29	STM-0892	43	STM-0991	56	SHP-0114 (STD)
2	STM-0740	15	STM-0742	30	HDW-0182	44	STM-0893		SHP-0115 (EXT)
3	STM-0743	16	STM-0806	31	STM-0887	45	STM-0914	57	STM-1023
4	STM-0738	18	STM-0815	32	ASY-0088	46	STM-0913	58	STM-1024
5	STM-1002	19	STM-0816	34	STM-0805	47	HDW-1018	59	STM-1008
6	STM-1081 (STD)	20	STM-0243	35	STM-0991	48	STM-0998	60	AUG-0009
	STM-1080 (EXT)	21	STM-0993	36	STM-0990	49	STM-0405	61	HDW-0170
7	STM-0748	22	STM-0885	37	STM-0736	50	LBL-0264	62	MTR-0187
8	STM-1003	23	STM-0739	38	STM-0737	51	STM-1000	63	WIR-0517
9	STM-0995	24	DOR-0064	39	STM-0847	52	STM-1001	64	WIR-0536
10	STM-0995	25	DOR-0065	40	STM-0987	53	DOR-0016	65	WIR-0109
11	STM-0881	26	DOR-0007	41	STM-0988	54	STM-0879	66	HDW-0713
12	STM-0994	27	HDW-0967	42	STM-1004 (STD)	55	SHP-0011	67	WIR-0192
13	STM-0996	28	STM-0084		STM-1077 (EXT)				