

Parts Manual VMC OPTIONS



| | |
|------------------------------------|----|
| HYDROSWEEP | 2 |
| PALLET CHANGER | 5 |
| 15K AIR/OIL SPINDLE | 12 |
| VH5C ROTARY TABLE | 13 |
| VH65 ROTARY TABLE | 16 |
| TR65 ROTARY TABLE | 19 |
| DUAL VH65 ASSEMBLY | 25 |
| ROTARY ACCESSORIES | 27 |
| 32 MP PENDANT ASSY | 28 |
| HYDRAULIC BRAKE | 29 |
| REMOTE MPG | 30 |
| SERVO COOLANT | 31 |
| FLOPPY / ZIP DRIVES | 32 |
| 300/400 ROTARY TABLE BOX | 33 |
| FULL ENCLOSURE SHEETMETAL | 36 |
| CHAIN HOIST SHEETMETAL 3020 | 38 |
| CHAIN HOIST SHEETMETAL 4020S | 39 |
| CHAIN HOIST SHEETMETAL 4525 | 40 |
| CHAIN HOIST SHEETMETAL 6535 | 41 |
| 50 TAPER SPINDLE | 42 |
| 500 TAPER SPINDLE B.O.M. | 43 |



This reference covers the following Fadal products:

VMC Options Parts Manual

Corporate Office..... voice (818) 407-1400 fax (818) 407-0020
Service / Parts voice (818) 727-2100 fax (818) 407-1004
Programming Support voice (818) 727-2100 fax (818) 407-0061

support@fadal.com
20701 Plummer Street, Chatsworth, California 91311 USA

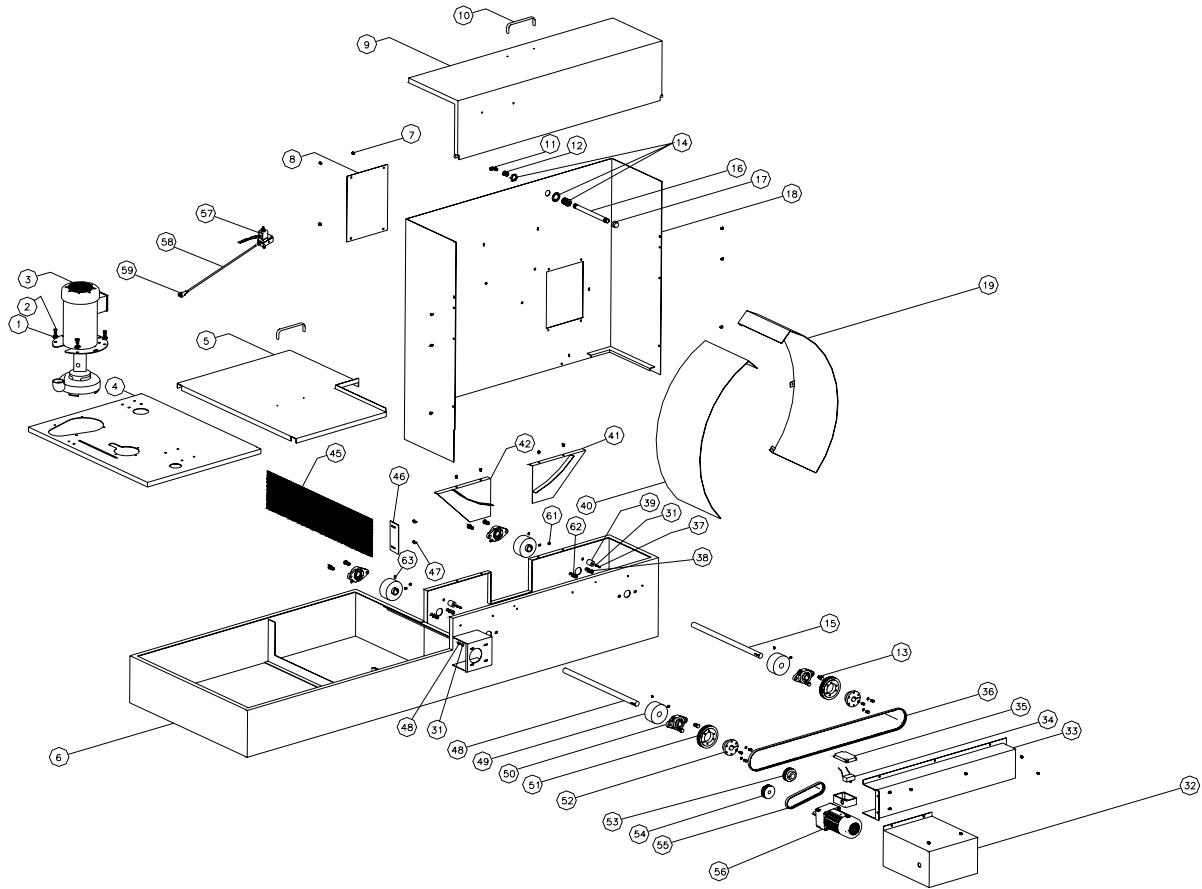
The content of this manual has been reviewed for accuracy and is applicable to current Fadal hardware and software products as described herein. Differences may exist and we cannot guarantee that they are completely covered in this document. The information in this document is reviewed regularly and any necessary changes will be incorporated in the next revision. We welcome any suggestions for improvement.

Material is subject to change without notice.

This manual is for the exclusive use of Fadal Customers and Distributors. The reproduction, transmission or use of this document or its contents is not permitted without the expressed written permission of Fadal Machining Centers. All rights, including rights created by patent grant or registration of a utility, model or design, are reserved.

© Copyright 2002 Fadal Machining Centers.

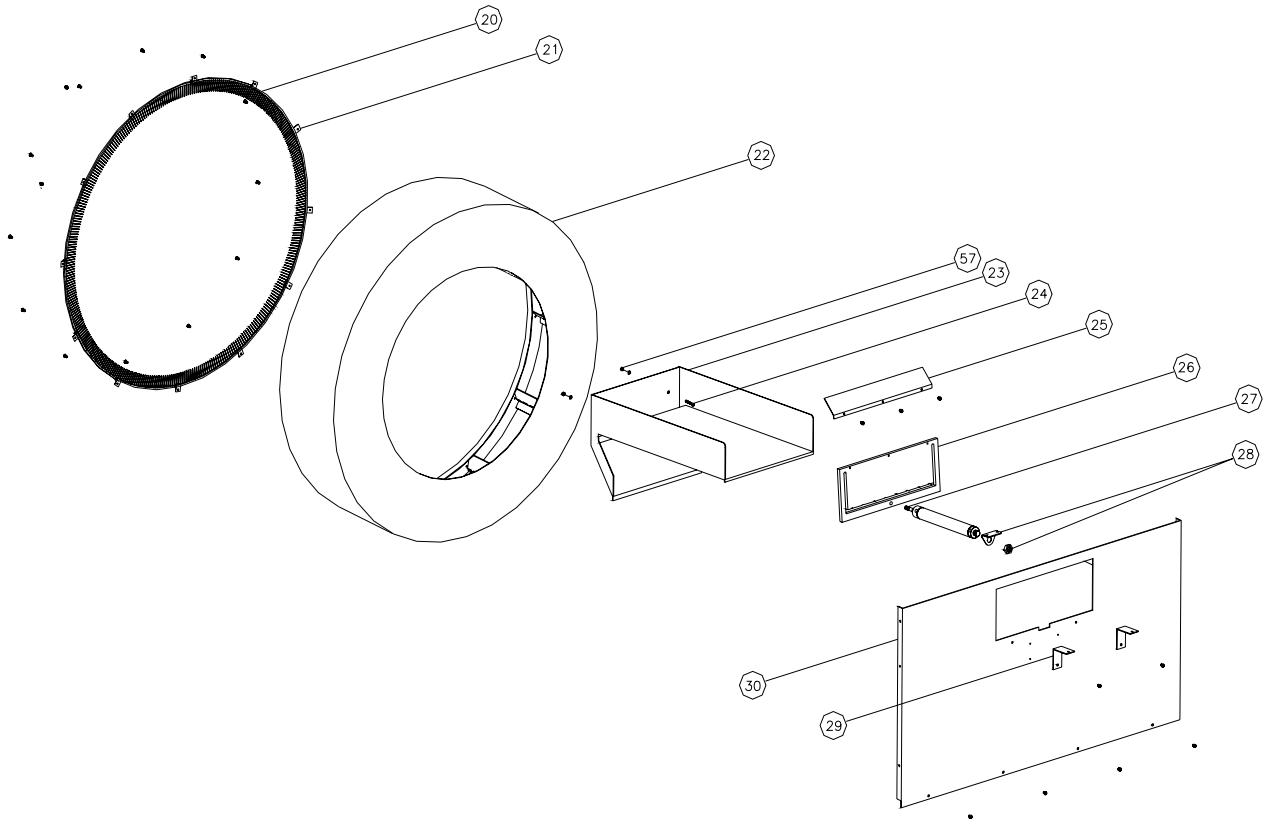
HYDROSWEEP



| ITEM | QTY. | PART DESCRIPTION | PART NO. |
|------|------|------------------------------------|----------|
| 1 | 6 | WASHER, LOCK SPLIT; 3/8 | HDW-0280 |
| 2 | 4 | SCREW,HEX GRDE A GR8;3/8-16 x .75 | HDW-0571 |
| 3 | 1 | MOTOR/PUMP ASSY,HYDROSWEEP 3-HP | PMP-0010 |
| 4 | 1 | TANK TOP, 3 HOLE; HYDROSWEEP PUM | STM-0652 |
| 5 | 1 | TANK TOP, HYDROSWEEP SCREEN | STM-0653 |
| 6 | 1 | COOLANT TANK; HYDROSWEEP | STM-0667 |
| 7 | 48 | SCREW,BUTTOM SOCP; 1/4-2 x 3/8 | HDW-0347 |
| 8 | 1 | ACCES COVER, DRUM CABINET | STM-0655 |
| 9 | 1 | TILT DOOR,DRUM COVER;HYDROSWEEP | STM-0206 |
| 10 | 2 | HANDLE, ALUMINUM; 6.5" LONG | HDW-0182 |
| 11 | 1 | FITTING 1/4 QD x 1/4 MIPT | PLM-0044 |
| 12 | 1 | FITTING, BULKHEAD 1/4 x 1.0 | HDW-0394 |
| 13 | 8 | SCREW HEXCAP G5 7/16-14 x 1 1/2. | HDW-0567 |
| 14 | 1 | FITTING BULKHEAD 1/2 x 1 1/2 | PLM-0081 |
| 15 | 1 | AXLE, DRUM ROLR,HYS; 1 x 20-FRONT | HDW-0242 |
| 16 | 1 | PIPE, AIR, HYDROSWEEP | HDW-1052 |
| 17 | 1 | END CUP, FITTING, PVC 1/2 NPT. | HDW-1053 |
| 18 | 1 | COVER, BACK DRUM; HYDROSWEEP | STM-0654 |
| 19 | 1 | CHIP TRACK - RIGHT | STM-0761 |
| 20 | 2 | BRUSH ASSY, HYDROSWEEP DRUM | HDW-0243 |
| 21 | 12 | CLAMP .75 DRUM BRUSH | HDW-0244 |
| 22 | 1 | DRUM (HYDROSWEEP) | STM-0201 |
| 23 | 1 | DROP TRAY; HYDROSWEEP | STM-0663 |
| 24 | 2 | SCREW, BUTTOM SOCAP; 3/8-16X 3/4 | HDW-0345 |
| 25 | 1 | RAM SHIELD, CHIP CHUTE; HYDROSWEEP | STM-0221 |
| 26 | 1 | RAM, CHIP CHUTE; HYDROSWEEP | HYS-0004 |
| 27 | 1 | CYLINDER, 11" HYDROSWEEP RAM | CYL-0001 |
| 28 | 1 | BRACKET, CYLINDER; HYDROSWEEP | CYL-0012 |
| 29 | 2 | BRACKET., DROP TRAY SUPPORT; FRNT | STM-0210 |
| 30 | 1 | MAIN DRUM COVER TOP | STM-0205 |

| ITEM | QTY. | PART DESCRIPTION | PART NO. |
|------|------|-----------------------------------|----------|
| 31 | 4 | WHASER HARDENED; 1/4 | HDW-0047 |
| 32 | 1 | COVER, GEARMOTOR; HYDROSWEEP | STM-0665 |
| 33 | 1 | COVER, BELT; HYDROSWEEP | STM-0664 |
| 34 | 1 | CAPACITOR, HYDROSWEEP DRUM MTR | MTR-0062 |
| 35 | 1 | 984 BODINE BOX KIT | MTR-0122 |
| 36 | 1 | BELT, ROLLER TO ROLLER; 817L050 | BEL-0011 |
| 37 | 4 | SCREW, BUTTOM SCP;1/4-20 x 1-1/4 | HDW-0296 |
| 38 | 4 | WASHER, LOCK-SPLIT;1/4 | HDW-0279 |
| 39 | 4 | DRUM GUIDE, NYLON | HYS-0005 |
| 40 | 1 | CHIP TRACK-LEFT | STM-0760 |
| 41 | 1 | CHIP SHIELD, RT; INNER DRUM; HYD | STM-0219 |
| 42 | 1 | CHIP SHIELD, LFT, INNER DRUM; HYD | STM-0218 |
| 43 | 1 | HEX NUT 3/8-16 | HDW-0333 |
| 44 | 1 | MOTOR, HYDROSWEEP DRUM-26 RPM | MTR-0061 |
| 45 | 4 | SCREEN, TANK; HYDROSWEEP | STM-0211 |
| 46 | 1 | HYDRO TANK FILTER BRACKET | STM-0667 |
| 47 | 1 | NUT, WING; 1/4-20, ZINC PLATED | HDW-0136 |
| 48 | 1 | AXLE,DRUM ROLR, HYD;1 x 22 - REAR | HDW-0241 |
| 49 | 4 | DRUMM ROLLER, HYDROSWEEP | HDW-0240 |
| 50 | 2 | FY11TM FLANGED BEARING | BRG-0110 |
| 51 | 2 | 36L050SDS BUSHING PULLEY | PUL-0037 |
| 52 | 2 | SDS 1" BUSHING | PUL-0040 |
| 53 | 1 | PULLEY INPUT DRV 1.00 MOD BORE | PUL-0043 |
| 54 | 1 | PULLEY INPUT DRV .625 MOD BORE | PUL-0042 |
| 55 | 1 | BELT, MTR TO ROLLER; 210L050 | BEL-0010 |
| 56 | 1 | MOTOR,HYDROSWEEP DRUM - 26 RPM | MTR-0061 |
| 57 | 1 | VALVE ASY, COMPAIR, 1-VALVE/MAN | VLV-0053 |
| 58 | 15 | TUBING, 1/4 NYLON/PER FT | PLM-0023 |
| 59 | 1 | FITTING, 1/4 QD x 1/4 QD WYE | PLM-0050 |

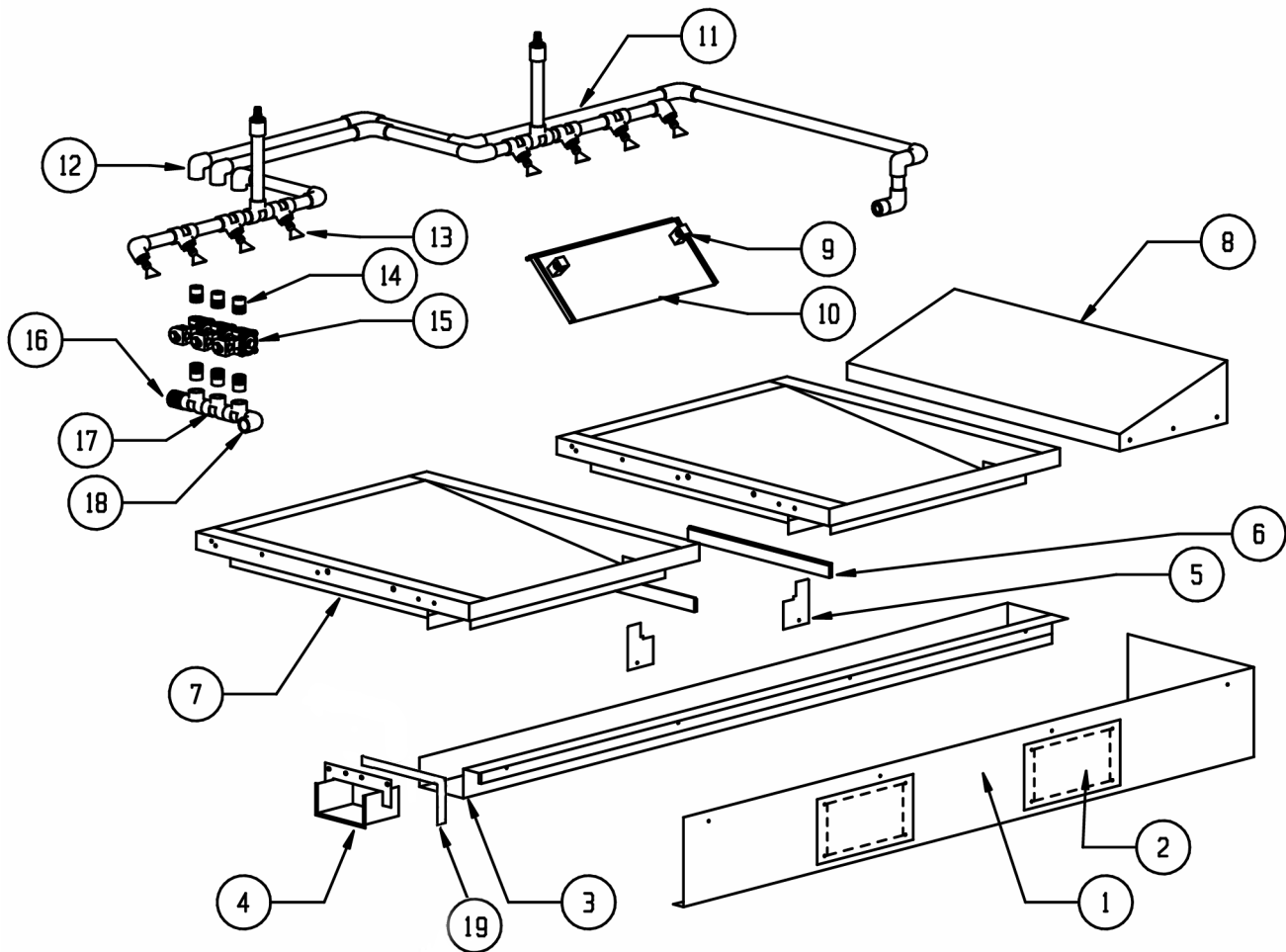
HYDROSWEEP



HYDROSWEEP

| | PART # | | PART # | | PART # | | PART # |
|----|----------|----|----------|----|----------------|----|----------|
| 1 | WIR-0612 | 13 | HDW-0317 | 24 | HDW-0363 | 33 | HDW-0281 |
| 2 | WIR-0611 | | HDW-0048 | 25 | CWT-0005 | 34 | HDW-0319 |
| 3 | MTR-0142 | 14 | BLS-0042 | 26 | CWT-0002 | 35 | BLS-0105 |
| 4 | WIR-0558 | 15 | BRG-0023 | 27 | HDW-0600 | 36 | BLS-0032 |
| 5 | WIR-0559 | 16 | BLS-0041 | 28 | PUL-0034 | 37 | HDW-0049 |
| 6 | MTR-0126 | 17 | HDW-0297 | 29 | HDW-0777 | 38 | HDW-0315 |
| 7 | CVR-0074 | 18 | HDW-0655 | 30 | CWT-0007 | 39 | HDW-0347 |
| 8 | STM-0072 | 19 | HDW-0050 | 31 | HDW-0205 | 40 | STM-0043 |
| 9 | CVR-0072 | 20 | CWT-0018 | 32 | BLS-0024 (28") | 41 | |
| 10 | STM-0300 | 21 | HDW-0335 | | BLS-0031 (20") | 42 | MTR-0189 |
| 11 | STM-0301 | 22 | HYS-0029 | | | 43 | HDW-0280 |
| 12 | STM-0044 | 23 | HDW-0204 | | | 44 | HDW-0779 |

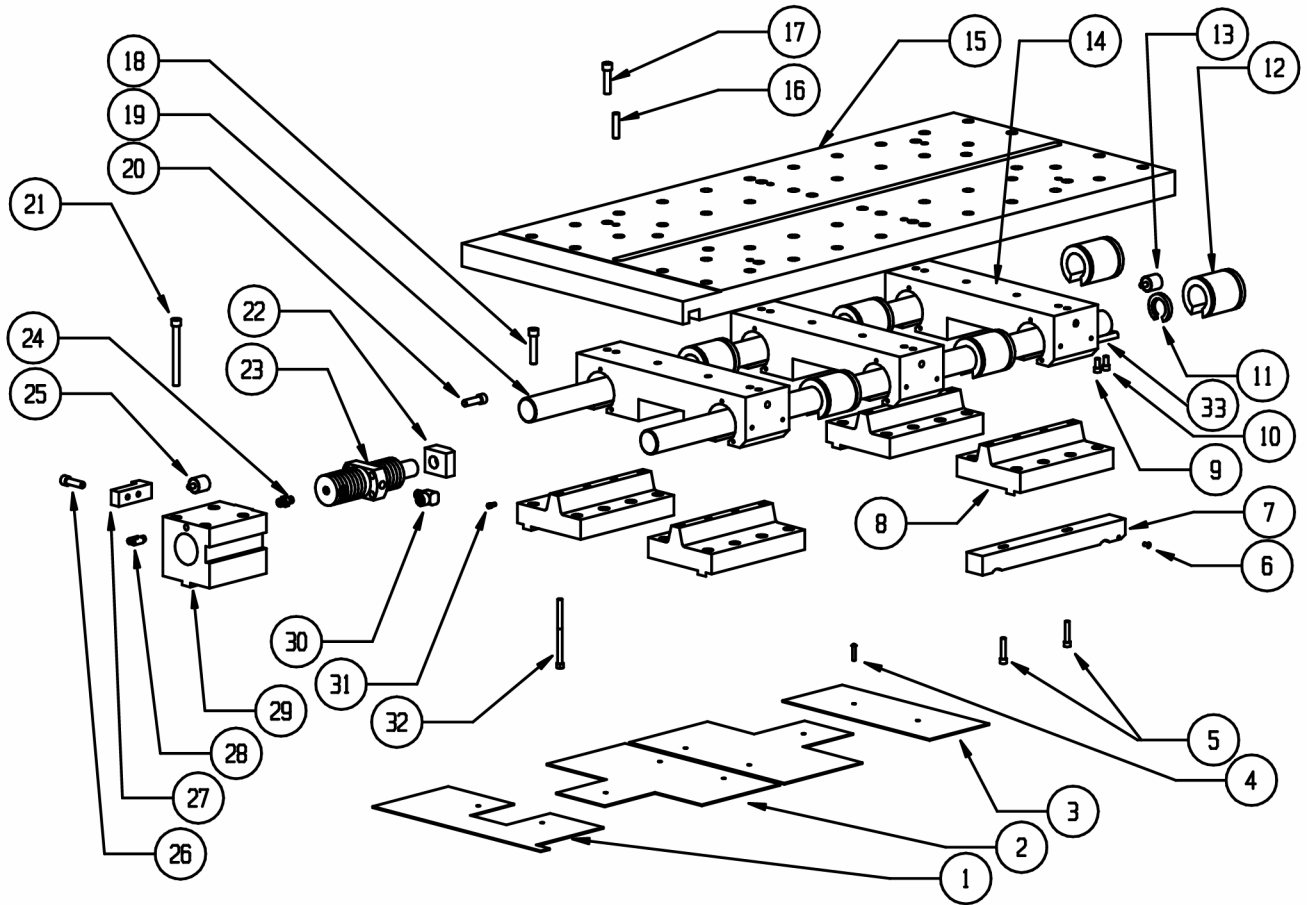
HYDROSWEEP



HYDROSWEEP

| | PART # | | PART # | | PART # |
|---|-------------------------------|----|--------------------------|----|----------|
| 1 | STM-0672 (VMC 2216,3016) | 6 | HYS-0024 | 13 | PLM-0124 |
| | STM-0666 (VMC 4020) | 7 | STM-0680 (VMC 2216,3016) | 14 | HYS-0006 |
| | STM-0213/0444 (VMC 6030) | | STM-0204(VMC-4020) | 15 | VLV-0022 |
| | STM-0461/0460 (VMC 8030) | | STM-0207 (VMC 6030,8030) | 16 | PLM-0132 |
| 2 | STM-0299 | 8 | STM-0417 (VMC6030) | 17 | PLM-0128 |
| 3 | STM-0222 (VMC 2216,3016) | | STM-0418 (VMC 8030) | 18 | PLM-0129 |
| | STM-0200 (VMC 4020,6030,8030) | 9 | HYS-0025 | 19 | HDW-0544 |
| 4 | STM-0212 (VMC 2216,3016,4020) | 10 | CVR-0056 (2216/3016) | | |
| | STM-0208 (VMC 6030) | | CVR-0042 (4020) | | |
| | STM-0209 (VMC 8030) | | CVR-0049 (6030/8030) | | |
| 5 | STM-0458 (VMC 8030) | 11 | PLM-0131 | | |
| | STM-0459 (ALL OTHERS) | 12 | PLM-0125 | | |

PALLET CHANGER



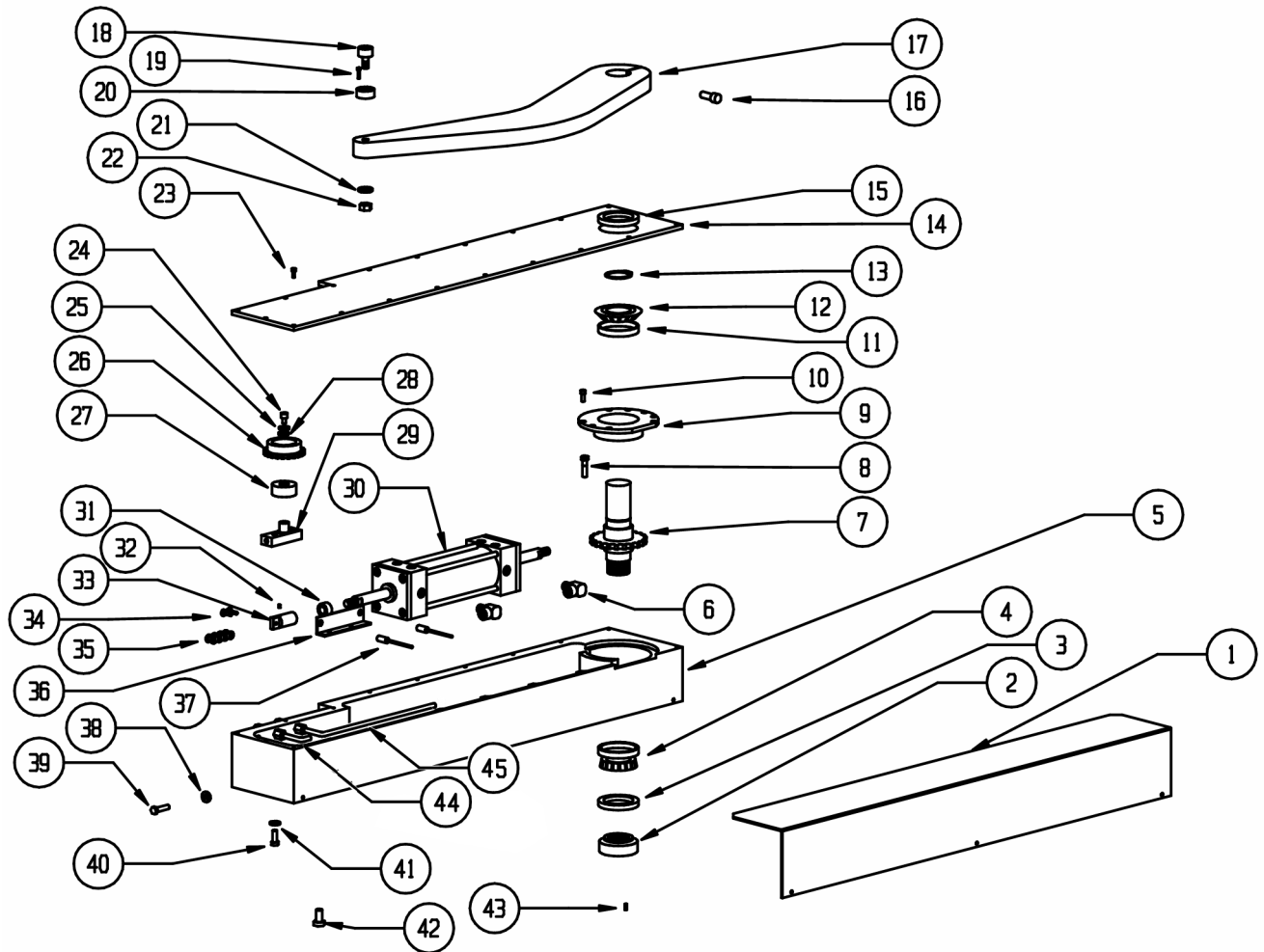
PALLET CHANGER

| | PART # | | PART # | | PART # | | PART # |
|---|----------|----|-----------|----|------------|----|------------|
| 1 | STM-0193 | 9 | HDW-0304 | 17 | HDW-0472 | 25 | HDW-0238** |
| 2 | STM-0194 | 10 | HDW-0301 | 18 | HDW-0472 | 26 | HDW-0472 |
| 3 | STM-0195 | 11 | HDW-0239 | 19 | PLC-0011 | 27 | PLC-0027** |
| 4 | HDW-0119 | 12 | BRG-0046 | 20 | HDW-0472 | 28 | PLM-0034** |
| 5 | HDW-0570 | 13 | HDW-0238 | 21 | HDW-0477 | 29 | PLC-0017** |
| 6 | HDW-0295 | 14 | PLC-0070 | 22 | 910046** | 30 | HYD-0005** |
| 7 | PLC-0020 | 15 | PLC-0009* | 23 | HYD-0001** | 31 | HDW-0295** |
| 8 | PLC-0010 | 16 | HDW-0617 | 24 | PLM-0039** | 32 | HDW-0289 |
| | | | | | | 33 | PLC-0080 |

*PLC-0009 THREADED HOLES ALTERNATE UNTHREADED HOLES PLC-0039

** ASSEMBLY PART # PLC-0005

PALLET CHANGER

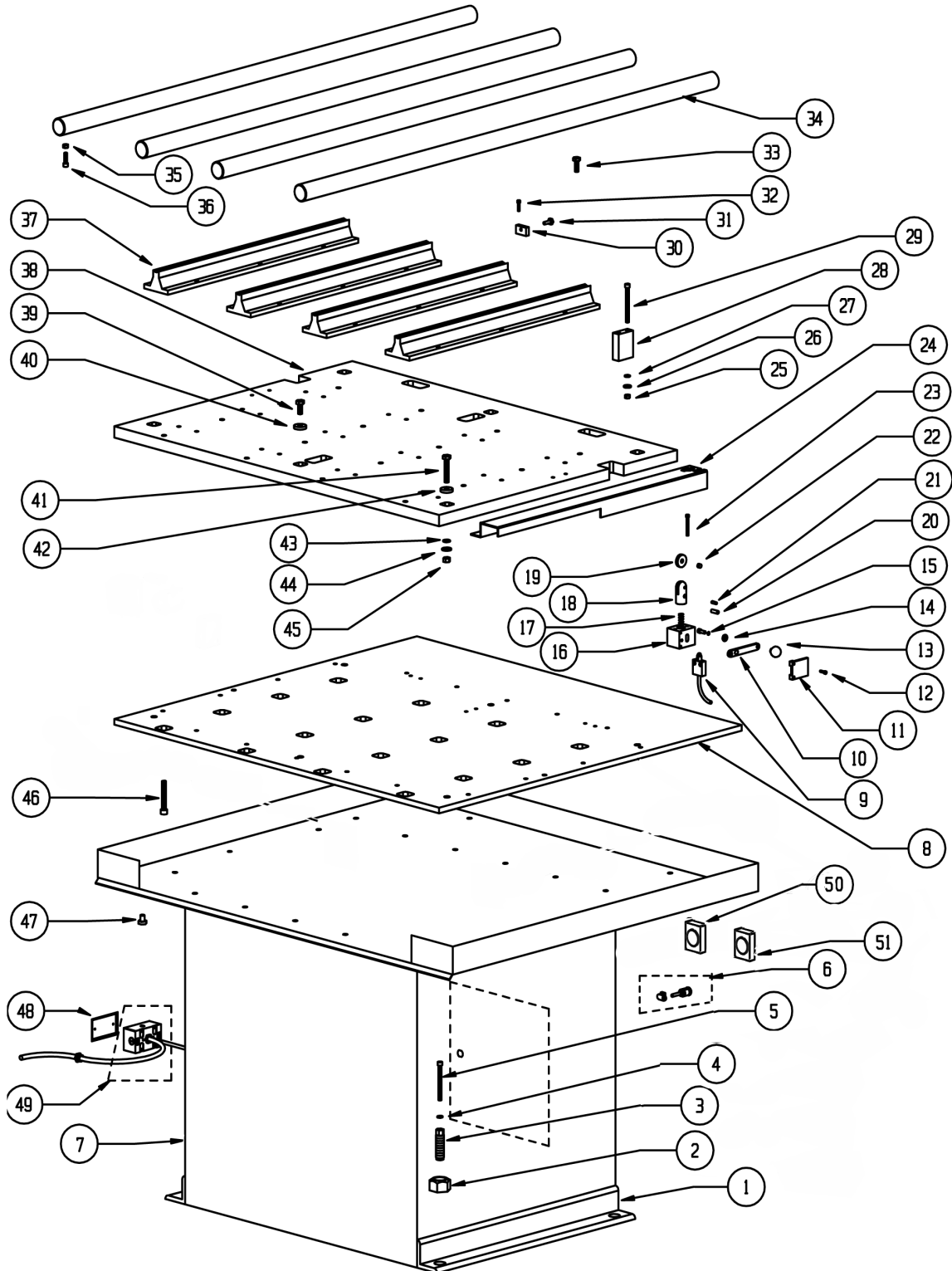


PALLET CHANGER

| | PART # | | PART # | | PART # | | PART # |
|----|-----------|----|----------|----|----------|----|----------|
| 1 | STM-0272 | 12 | BRG-0041 | 24 | HDW-0575 | 36 | PLC-0019 |
| 2 | PLC-0073 | 13 | HDW-0548 | 25 | HDW-0048 | 37 | ELE-0146 |
| 3 | HDW-0235 | 14 | PLC-0074 | 26 | PUL-0035 | 38 | HDW-0333 |
| 4 | BRG-0041 | 15 | HDW-0234 | 27 | BRG-0044 | 39 | HDW-0313 |
| | BRG-0042 | 16 | HDW-0470 | 28 | HDW-0049 | 40 | HDW-0313 |
| 5 | PLC-0072* | 17 | PLC-0013 | 29 | PLC-0015 | 41 | HDW-0444 |
| 6 | HYD-0023 | 18 | BRG-0043 | 30 | CYL-0010 | 42 | HDW-0571 |
| 7 | PLC-0018 | 19 | HDW-0505 | 31 | PLC-0025 | 43 | HDW-0269 |
| 8 | HDW-0472 | 20 | PLC-0028 | 32 | ELE-0786 | 44 | HYD-0004 |
| 9 | PLC-0008 | 21 | HDW-0280 | 33 | PLC-0016 | 45 | HYD-0003 |
| 10 | HDW-0304 | 22 | HDW-0695 | 34 | HDW-0237 | | |
| 11 | BRG-0042 | 23 | HDW-0348 | 35 | HDW-0236 | | |

* COMPLETE HYDRAULIC PALLET ARM HOUSING ASSY PLC-0002

PALLET CHANGER

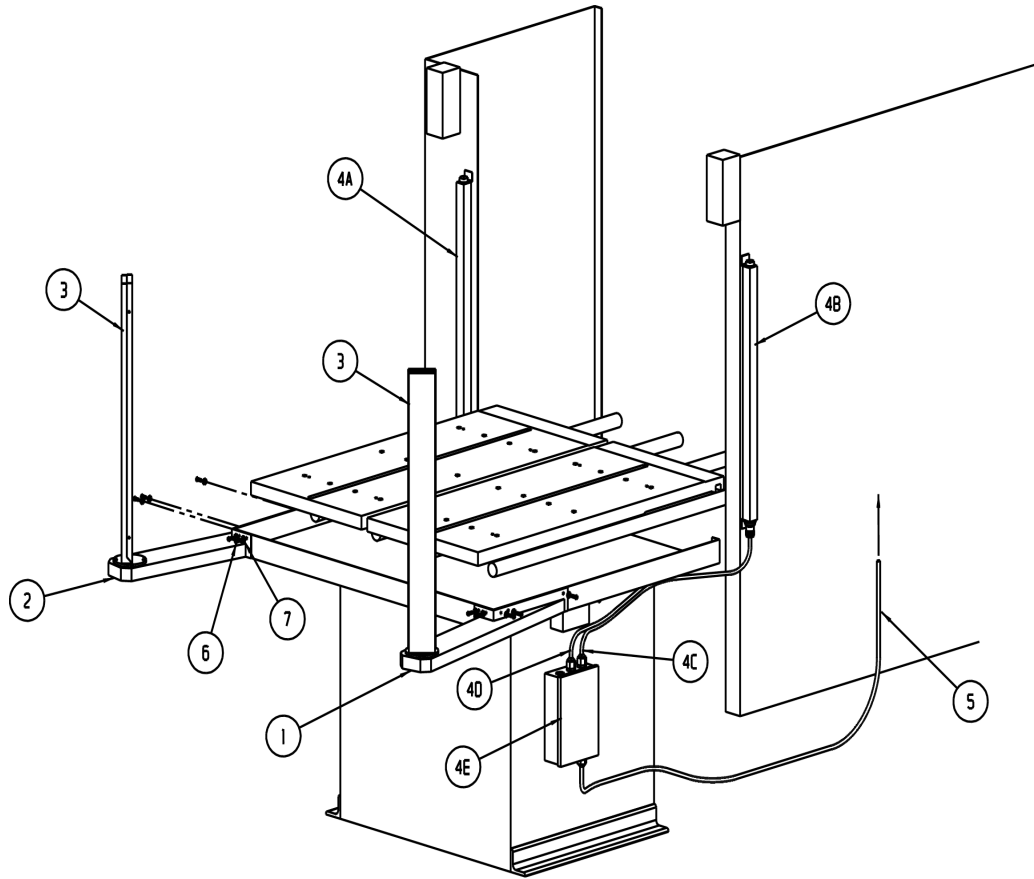


PALLET CHANGER

PALLET CHANGER

| | PART# | | PART# | | PART# | | PART# |
|----|----------|----|----------|----|-------------|----|----------|
| 1 | PLC-0067 | 16 | PLC-0023 | 31 | HDW-0314 | 46 | HDW-0476 |
| 2 | PLC-0042 | 17 | HDW-0393 | 32 | HDW-0294 | 47 | HDW-0791 |
| 3 | HDW-0988 | 18 | PLC-0022 | 33 | HDW-0314 | 48 | WIR-0112 |
| 4 | HDW-0280 | 19 | PLC-0021 | 34 | PLC-0012 | 49 | WIR-0113 |
| 5 | HDW-0478 | 20 | HDW-0329 | 35 | HDW-0333 | 50 | WIR-0549 |
| 6 | HDW-0218 | 21 | HDW-0329 | 36 | HDW-0779 | 51 | WIR-0405 |
| 7 | STM-0669 | 22 | BRG-0045 | 37 | HDW-0304 | | |
| 8 | PLC-0058 | 23 | HDW-0489 | 38 | PLC-0041/40 | | |
| 9 | ELE-0386 | 24 | STM-0379 | 39 | HDW-0559 | | |
| 10 | PLC-0076 | 25 | HDW-0333 | 40 | PLC-0077 | | |
| 11 | PLC-0075 | 26 | HDW-0280 | 41 | HDW-0655 | | |
| 12 | HDW-0303 | 27 | HDW-0444 | 42 | PLC-0077 | | |
| 13 | HDW-0749 | 28 | PLC-0024 | 43 | HDW-0050 | | |
| 14 | HDW-0275 | 29 | HDW-0479 | 44 | HDW-0451 | | |
| 15 | HDW-0571 | 30 | HDW-0050 | 45 | HDW-0543 | | |

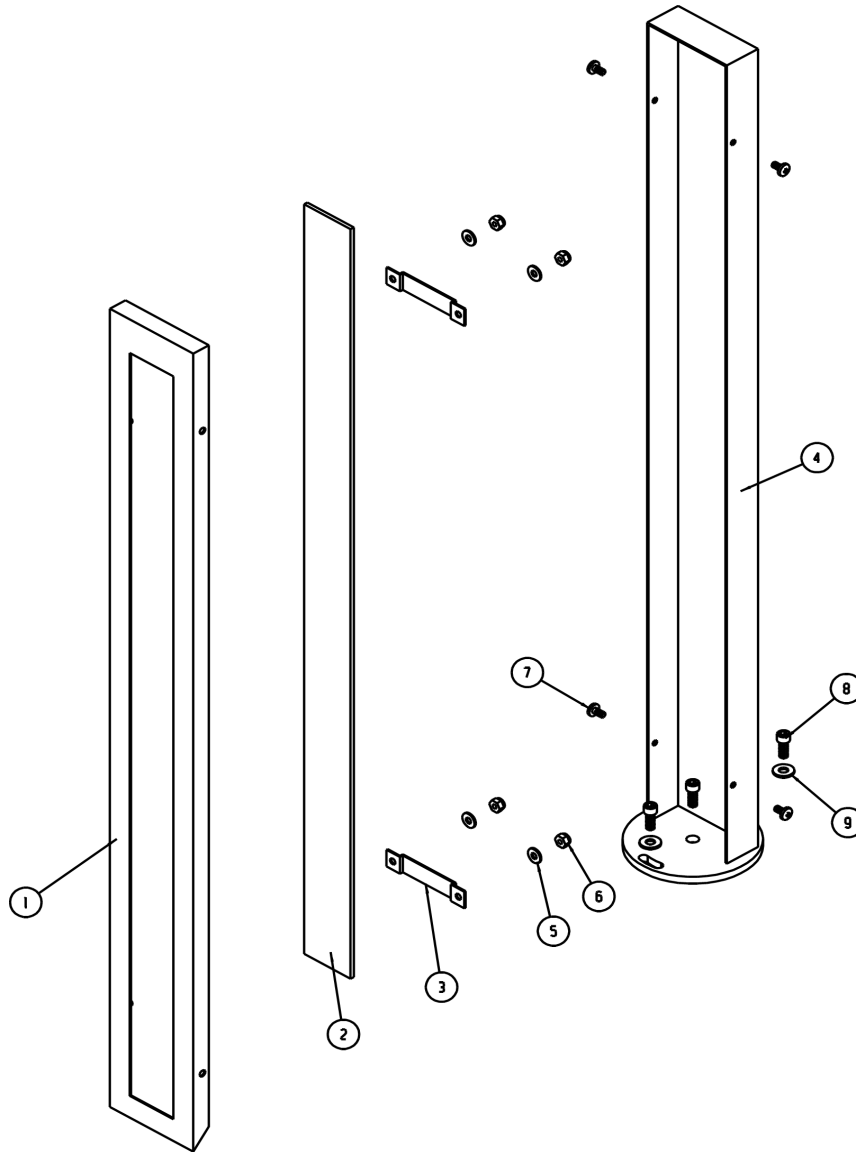
PALLET CHANGER



PALLET CHANGER

| | PART # | | PART # |
|----------------|----------|---|----------|
| 1 | STM-0662 | 5 | ELE-0939 |
| 2 | STM-0661 | 6 | HDW-0589 |
| 3 | PLC-0068 | 7 | HDW-0443 |
| 4A,B,C ,D,E | ELE-0939 | | |

PALLET CHANGER

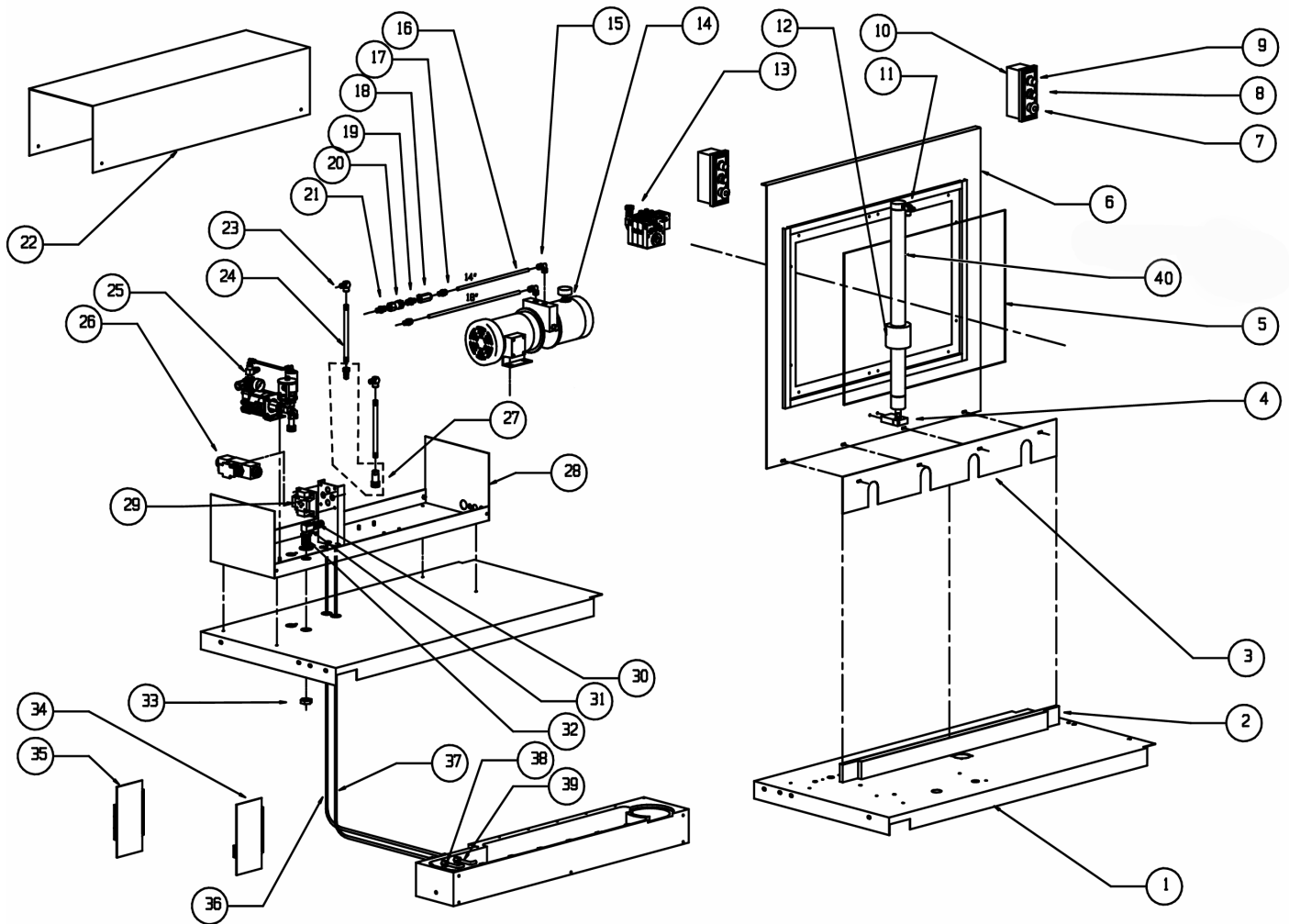


PALLET CHANGER

| | PART # | | PART # |
|---|----------|---|----------|
| 1 | STM-0660 | 6 | HDW-0647 |
| 2 | CNT-0151 | 7 | HDW-0437 |
| 3 | STM-0658 | 8 | HDW-0299 |
| 4 | STM-0659 | 9 | HDW-0443 |
| 5 | HDW-0442 | | |

* MIRROR LIGHT CURTAIN ASY: PLC-0068

PALLET CHANGER

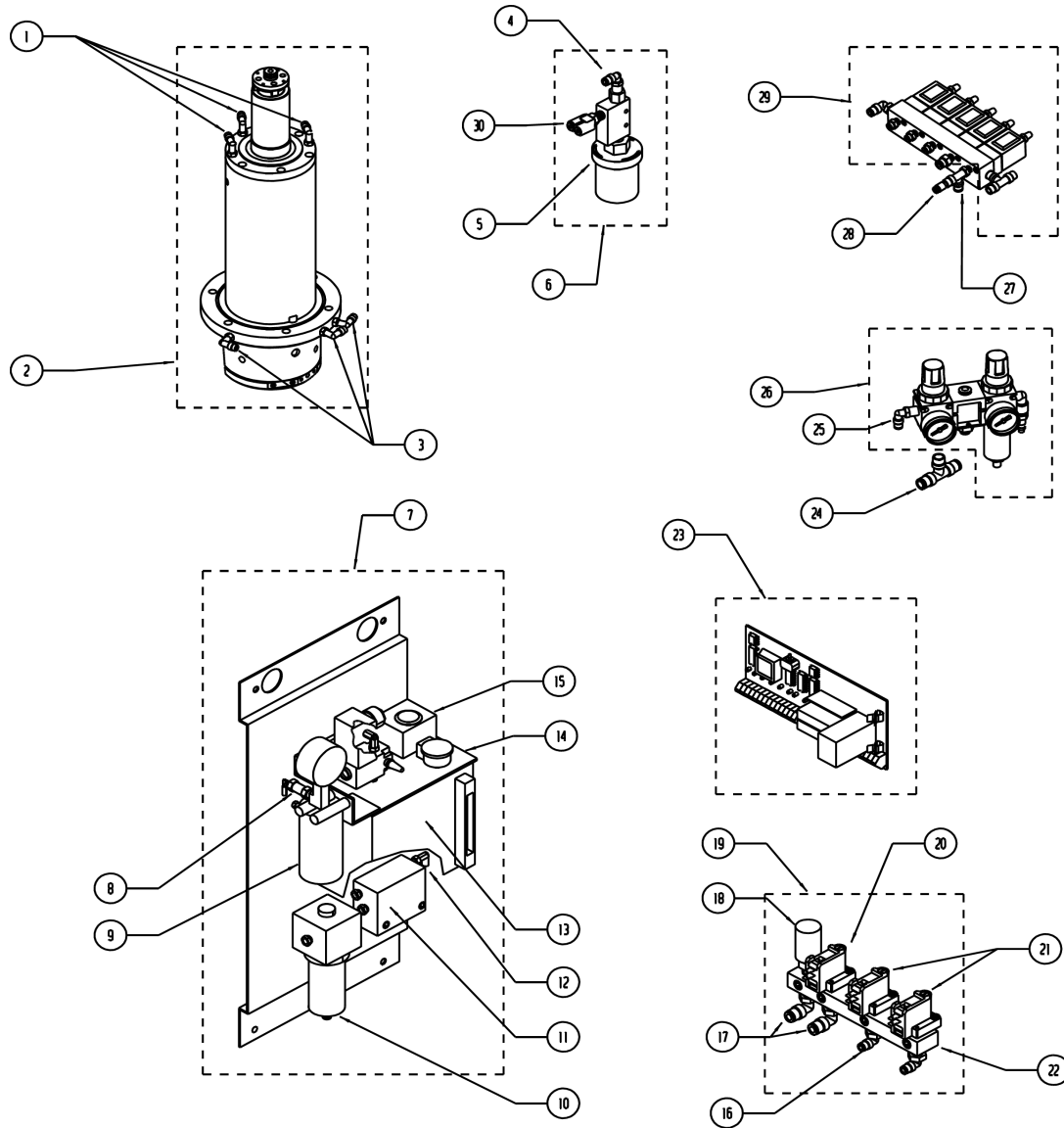


PALLET CHANGER

| | PART # | | PART # | | PART # | | PART # |
|----|----------|----|----------|----|----------|----|----------|
| 1 | STM-0191 | 11 | CYL-0018 | 21 | HYD-0005 | 31 | PLM-0056 |
| 2 | STM-0189 | 12 | PLC-0014 | 22 | STM-0791 | 32 | PLM-0081 |
| 3 | PLC-0060 | 13 | VLV-0038 | 23 | HYD-0005 | 33 | PLM-0081 |
| 4 | PLC-0072 | 14 | PMP-0009 | 24 | PLM-0001 | 34 | PCB-0005 |
| 5 | DOR-0018 | 15 | PLM-0042 | 25 | PMP-0012 | 35 | PCB-0019 |
| 6 | STM-0286 | 16 | PLM-0151 | 26 | HYD-0002 | 36 | HYD-0006 |
| 7 | ELE-0112 | 17 | PLM-0088 | 27 | HYD-0012 | 37 | HYD-0007 |
| 8 | ELE-0111 | 18 | PLM-0003 | 28 | STM-0791 | 38 | HYD-0004 |
| 9 | ELE-0110 | 19 | PLM-0057 | 29 | VLV-0030 | 39 | HYD-0003 |
| 10 | STM-0405 | 20 | PLM-0054 | 30 | PLM-0076 | 40 | CYL-0009 |

* REED SWITCH SENSOR CYL-0011

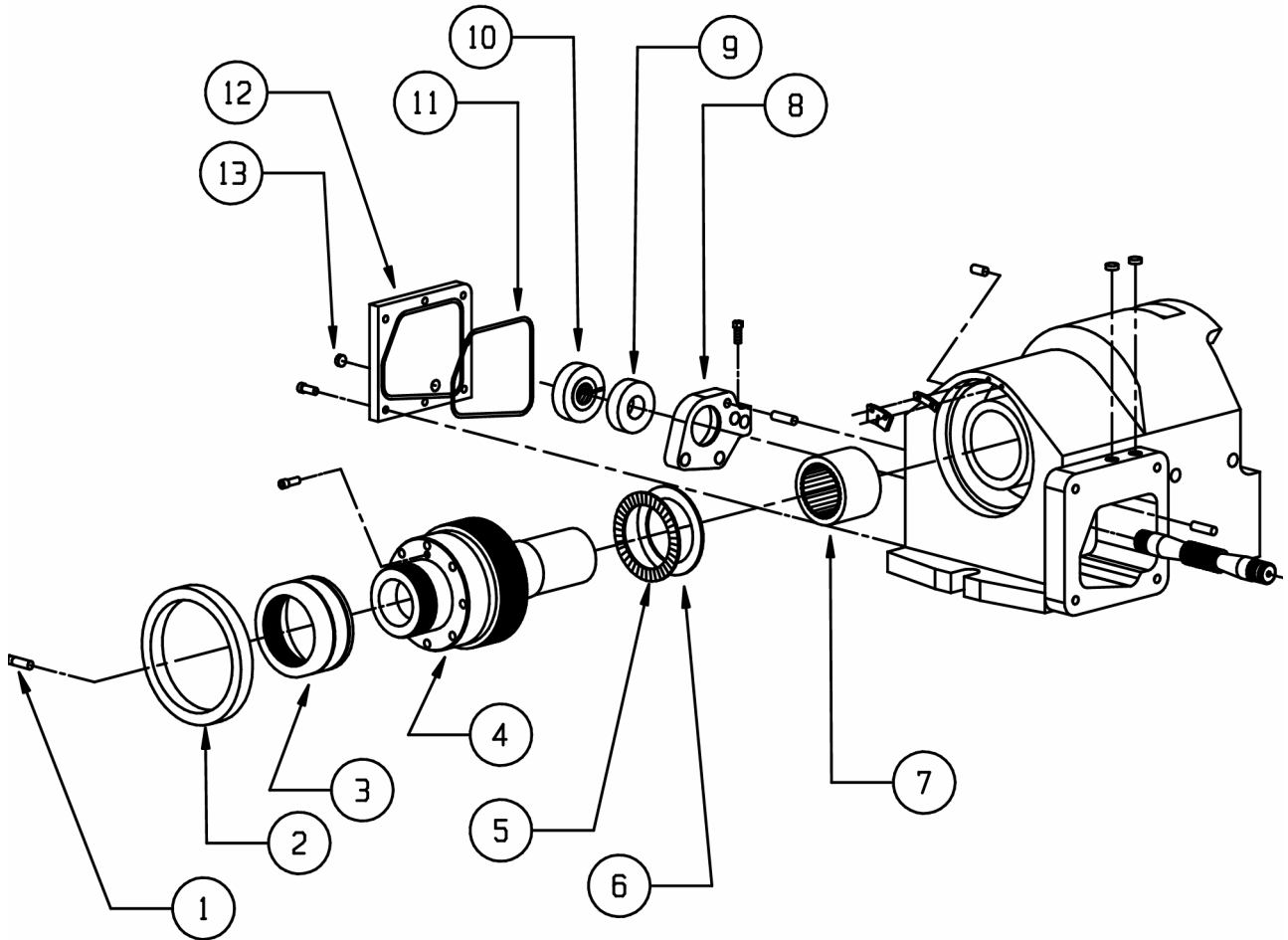
15K AIR/OIL SPINDLE



15K AIR/OIL SPIDLE

| | PART # | | PART # | | PART # | | PART # |
|---|----------|--|----------|--|----------|--|----------|
| 1 | PLM-0034 | | LUB-0049 | | PLM-0028 | | PLM-0036 |
| 2 | SPN-0053 | | REG-0030 | | ELE-0901 | | REG-0033 |
| 3 | PLM-0034 | | LUB-0091 | | LUB-0099 | | PLM-0024 |
| 4 | PLM-0034 | | PLM-0028 | | ELE-0874 | | PLM-0038 |
| | PMP-0024 | | LUB-0051 | | ELE-0873 | | VLV-0054 |
| | LUB-0100 | | LUB-0036 | | LUB-0094 | | PLM-0048 |
| | LUB-0098 | | LUB-0090 | | PCB-0157 | | |
| 5 | LUB-0097 | | PLM-0034 | | PLM-0165 | | |

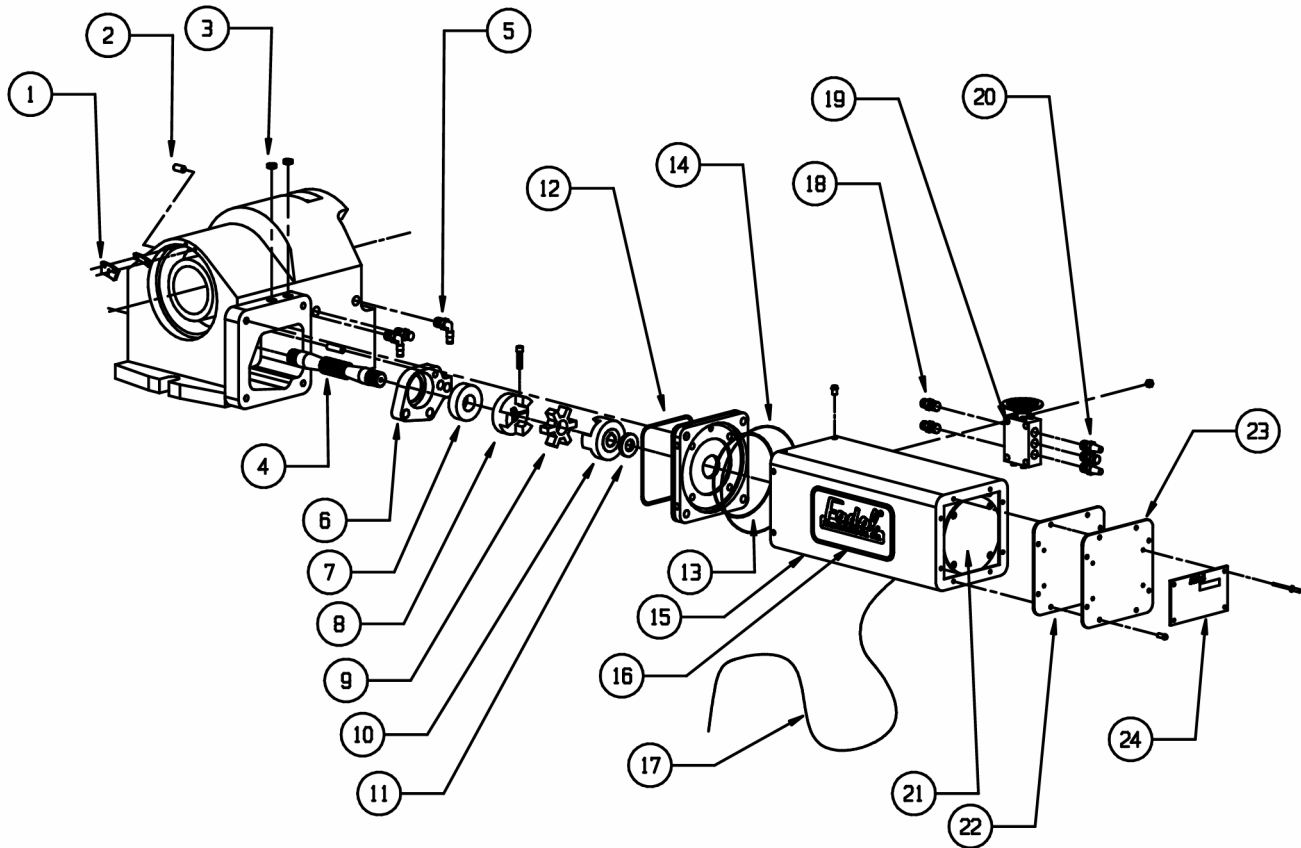
VH5C ROTARY TABLE



VH5C ROTARY TABLE

| | PART # | | PART # | | PART # |
|---|----------|----|----------|----|----------|
| 1 | ROT-0089 | 6 | BRG-0050 | 11 | HDW-0162 |
| 2 | HDW-0246 | 7 | BRG-0051 | 12 | ROT-0299 |
| 3 | ROT-0090 | 8 | ROT-0296 | 13 | HDW-0422 |
| 4 | ROT-0012 | 9 | BRG-0111 | | |
| 5 | BRG-0049 | 10 | ROT-0191 | | |

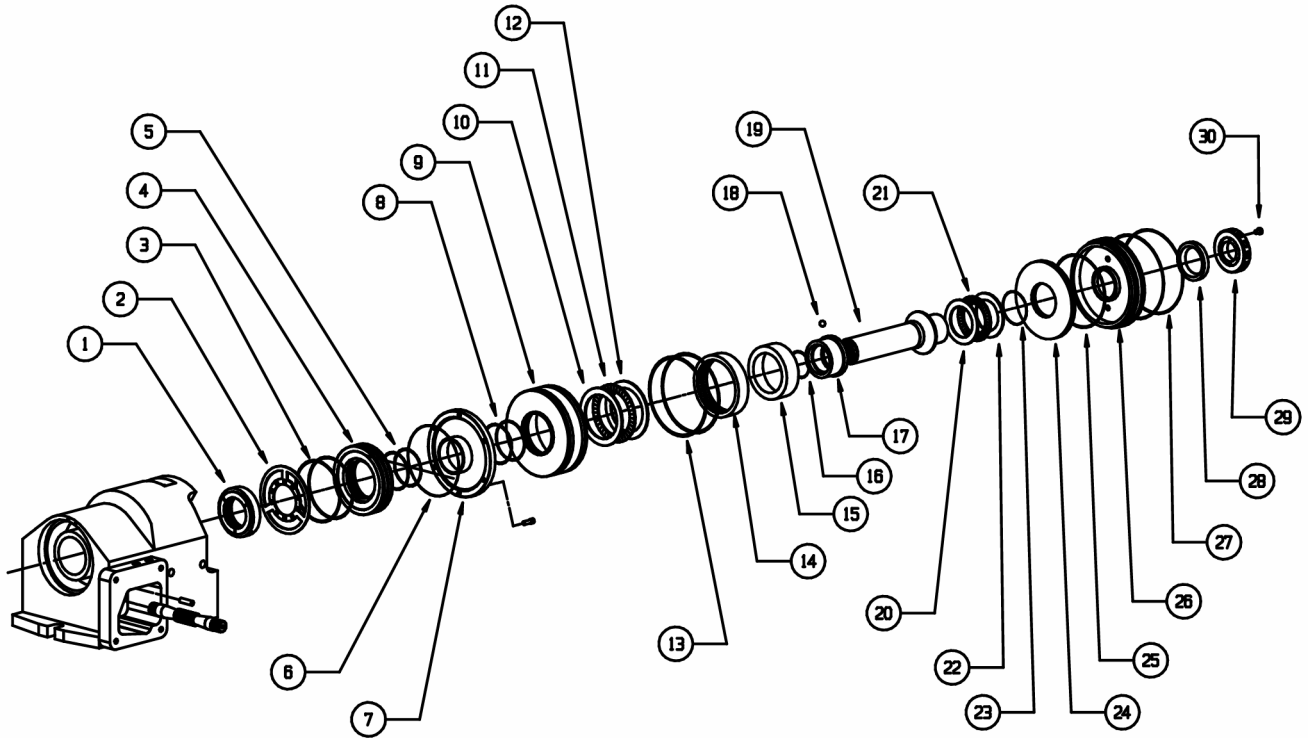
VH5C ROTARY TABLE



VH5C ROTARY TABLE

| | PART # | | PART # | | PART # | | PART # |
|---|----------|----|----------|----|----------|----|----------------------|
| 1 | ROT-0297 | 7 | BRG-0111 | 13 | HDW-0704 | 20 | VLV-0026 |
| 2 | HDW-0409 | 8 | ROT-0273 | 14 | HDW-0153 | 21 | PLM-0040 |
| 3 | HDW-0422 | 9 | HDW-0752 | 15 | STM-0199 | 22 | MTR-0003 OR MTR-0012 |
| 4 | ROT-0152 | 10 | ROT-0075 | 16 | LBL-0179 | 23 | HDW-0378 |
| 5 | PLM-0034 | 11 | HDW-0248 | 17 | WIR-0177 | 24 | STM-0433 |
| 6 | ROT-0295 | 12 | HDW-0162 | 18 | HDW-0188 | 25 | LBL-0178 |

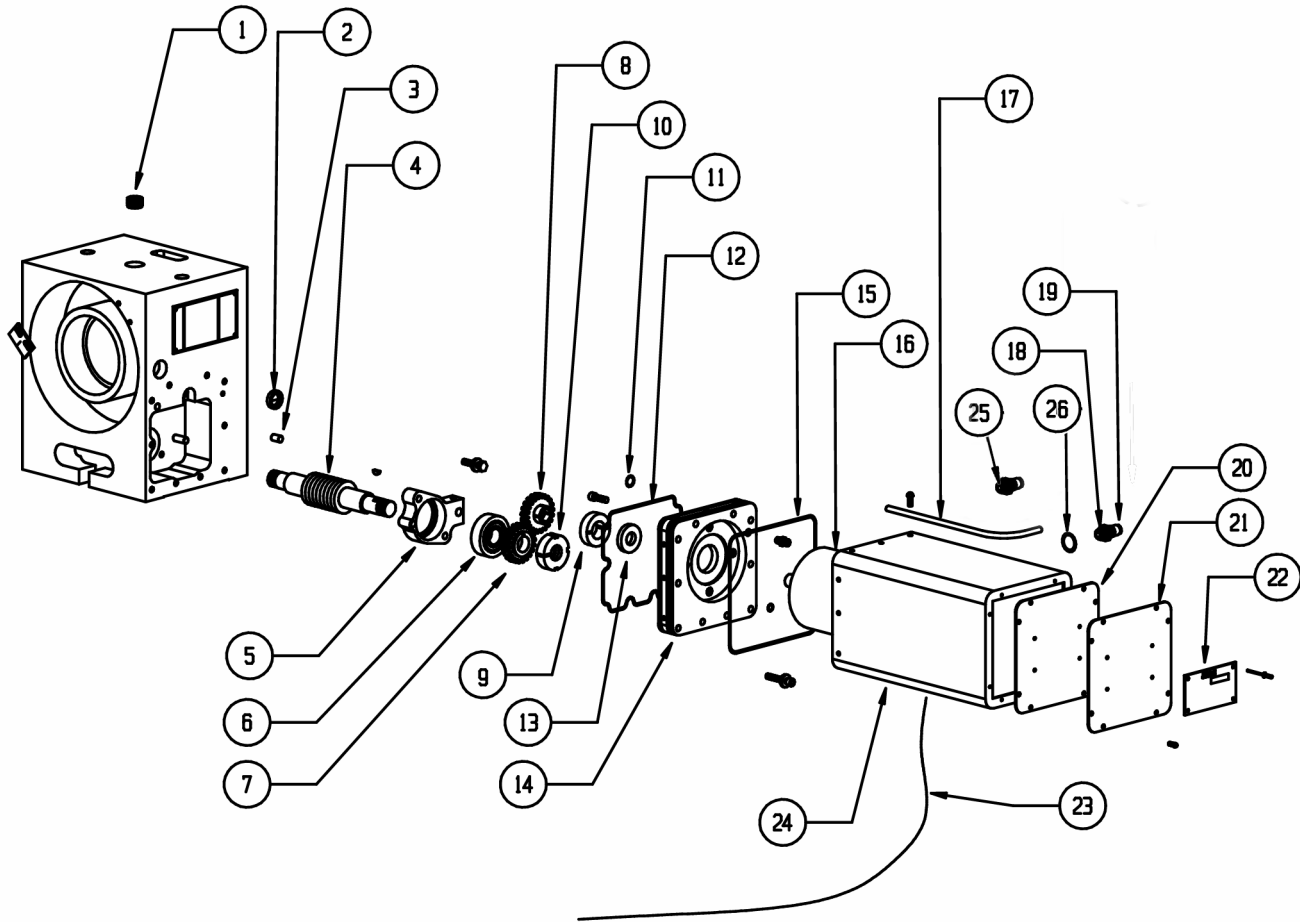
VH5C ROTARY TABLE



VH5C ROTARY TABLE

| | PART # | | PART # | | PART # | | PART # |
|---|----------|----|----------|----|----------|----|----------------------|
| 1 | ROT-0069 | 9 | ROT-0070 | 17 | ROT-0071 | 25 | HDW-0168 |
| 2 | STM-0197 | 10 | BRG-0053 | 18 | BRG-0003 | 26 | ROT-0074 |
| 3 | HDW-0174 | 11 | BRG-0052 | 19 | ROT-0072 | 27 | HDW-0171 |
| 4 | ROT-0067 | 12 | BRG-0053 | 20 | BRG-0055 | 28 | HDW-0247 OR HDW-0992 |
| 5 | HDW-0165 | 13 | HDW-0175 | 21 | BRG-0056 | 29 | ROT-0073 |
| 6 | HDW-0152 | 14 | BRG-0054 | 22 | BRG-0057 | 30 | HDW-0306 |
| 7 | ROT-0068 | 15 | BRG-0048 | 23 | HDW-0151 | | |
| 8 | HDW-0166 | 16 | HDW-0160 | 24 | ROT-0077 | | |

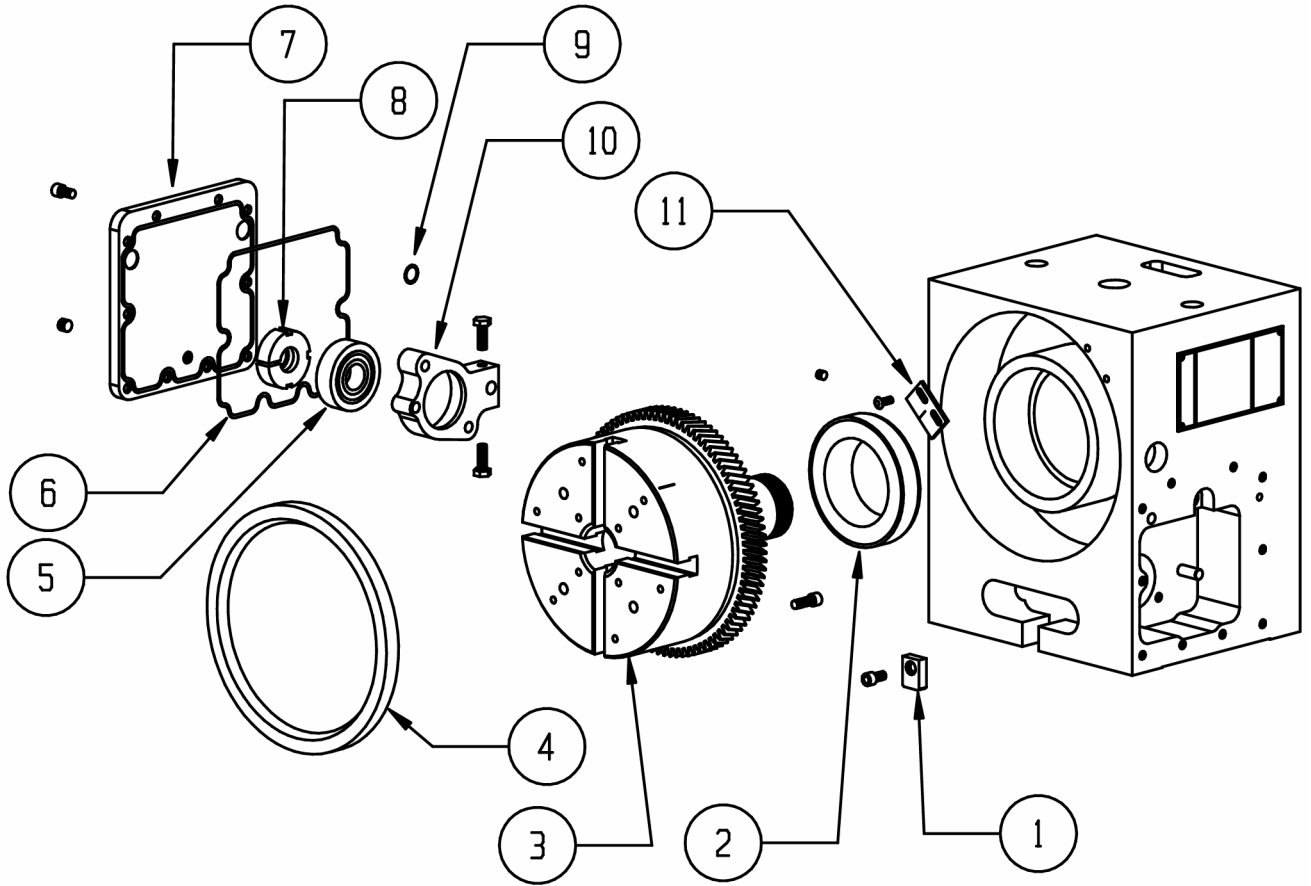
VH65 ROTARY TABLE



VH65 ROTARY TABLE

| | PART # | | PART # | | PART # | | PART # |
|---|----------|----|----------|----|----------|----|-------------------------------------|
| 1 | HDW-0268 | 8 | ROT-0050 | 15 | HDW-0162 | 22 | LBL-0176 |
| 2 | HDW-0222 | 9 | HDW-0230 | 16 | MTR-0003 | 23 | WIR-0080(9FT), 0081(6FT), 0217(7.5) |
| 3 | HDW-0620 | 10 | HDW-0226 | 17 | PLM-0023 | 24 | PLM-0046 |
| 4 | ROT-0037 | 11 | HDW-0179 | 18 | ELE-0037 | 25 | HDW-0177 |
| 5 | ROT-0043 | 12 | HDW-0162 | 19 | ELE-0065 | | |
| 6 | BRG-0024 | 13 | HDW-0212 | 20 | HDW-0365 | | |
| 7 | ROT-0280 | 14 | ROT-0040 | 21 | STM-0274 | | |

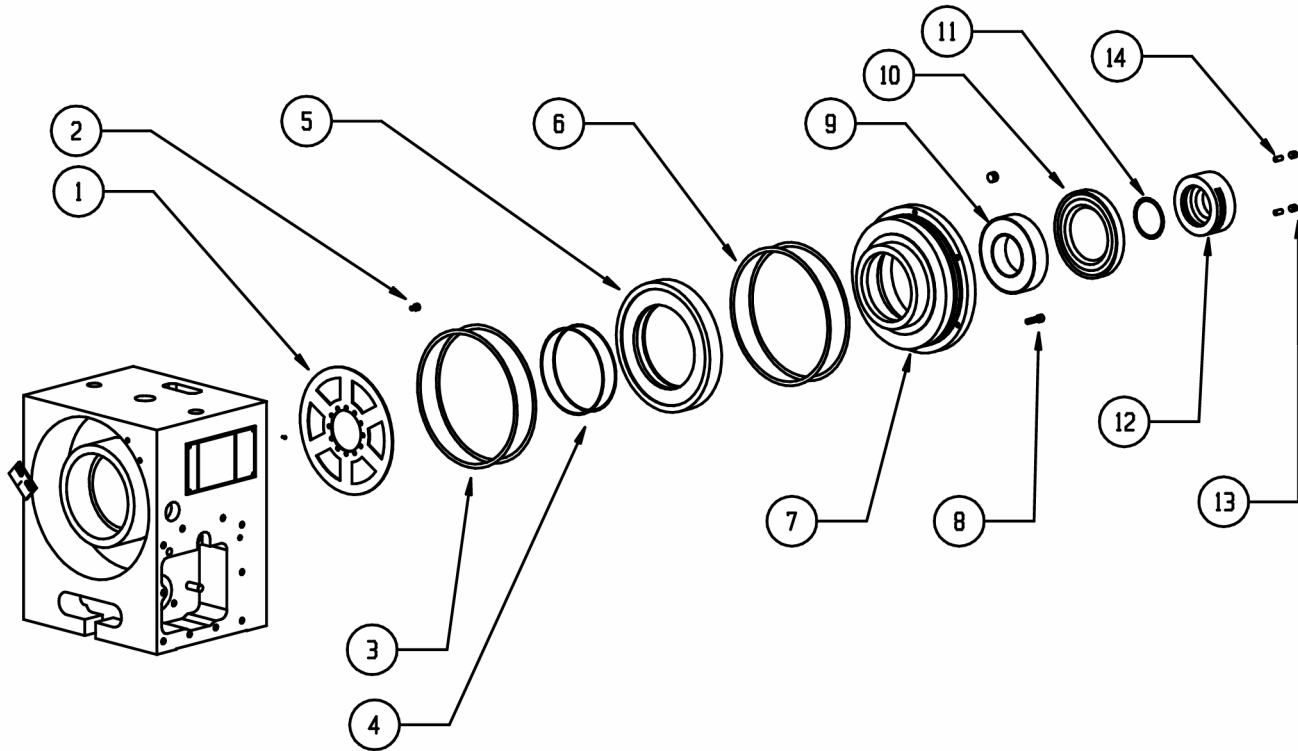
VH65 ROTARY TABLE



VH65 ROTARY TABLE

| | PART # | | PART # | | PART # | | PART # |
|---|----------|---|----------|---|----------|----|----------|
| 1 | ROT-0046 | 4 | HDW-0224 | 7 | ROT-0039 | 10 | ROT-0044 |
| | ROT-0047 | 5 | BRG-0024 | 8 | HDW-0230 | 11 | STM-0044 |
| 2 | BRG-0037 | 6 | HDW-0162 | 9 | HDW-0179 | | |
| | BRG-0038 | | | | | | |
| 3 | ROT-0000 | | | | | | |

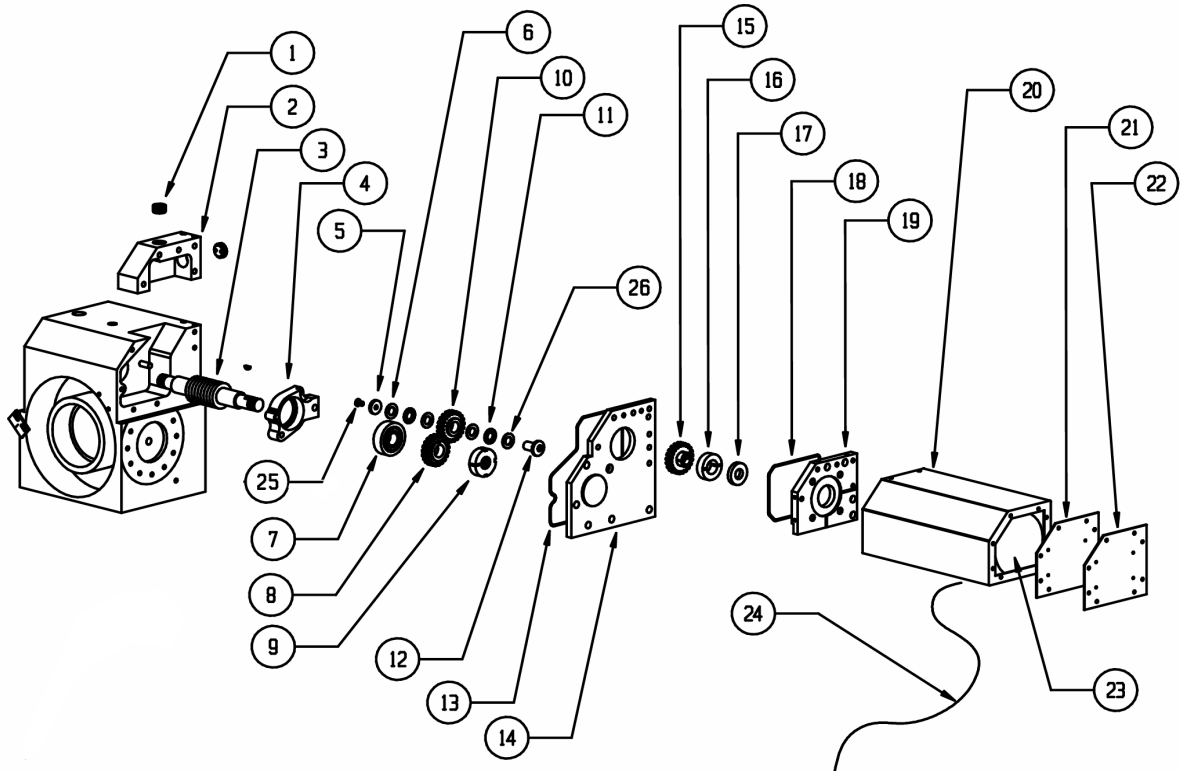
VH65 ROTARY TABLE



VH65 ROTARY TABLE

| | PART # | | PART # | | PART # | | PART # |
|---|----------|---|----------|----|----------|----|----------|
| 1 | ROT-0036 | 5 | ROT-0034 | 9 | BRG-0035 | 12 | ROT-0035 |
| 2 | HDW-0502 | 6 | HDW-0172 | | BRG-0036 | 13 | HDW-0426 |
| 3 | HDW-0176 | 7 | ROT-0033 | 10 | HDW-0223 | 14 | HDW-0615 |
| 4 | HDW-0167 | 8 | HDW-0303 | 11 | HDW-0164 | | |

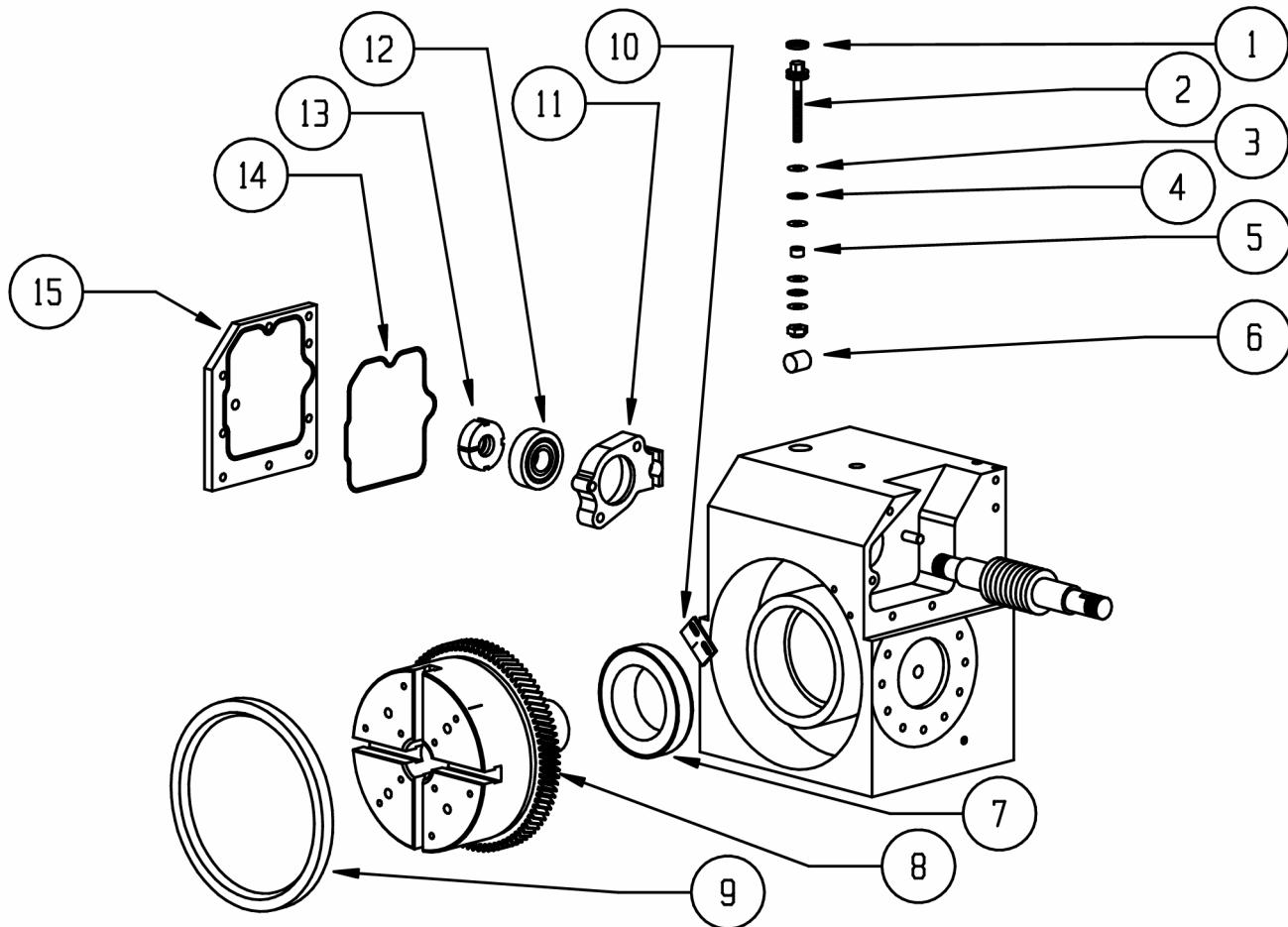
TR65 ROTARY TABLE



TR65 ROTARY TABLE

| | PART # | | PART # | | PART # | | PART # |
|---|----------|----|----------|----|----------|----|---------------------------------------|
| 1 | HDW-0268 | 8 | ROT-0280 | 15 | ROT-0050 | 22 | STM-0507 |
| 2 | ROT-0287 | 9 | HDW-0226 | 16 | HDW-0230 | 23 | MTR-0003 |
| 3 | ROT-0037 | 10 | ROT-0281 | 17 | HDW-0727 | 24 | WIR-0080(9FT), 0081(6FT), 0217(7.5FT) |
| 4 | ROT-0044 | 11 | BRG-0015 | 18 | HDW-0161 | 25 | HDW-0347 |
| 5 | ROT-0302 | 12 | ROT-0301 | 19 | ROT-0282 | 26 | BRG-0016 |
| 6 | BRG-0017 | 13 | HDW-0163 | 20 | STM-0506 | | |
| 7 | BRG-0024 | 14 | ROT-0230 | 21 | HDW-0366 | | |

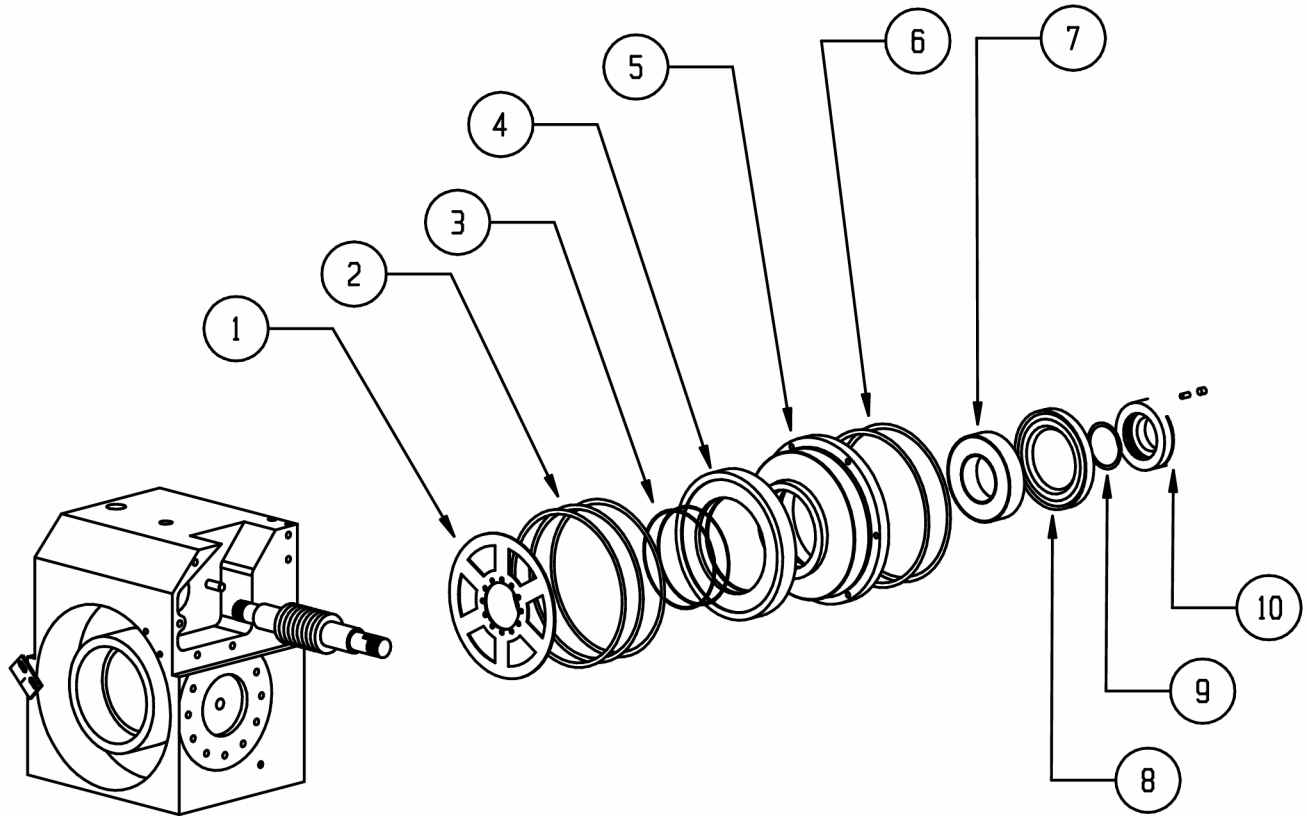
TR65 ROTARY TABLE



TR65 ROTARY TABLE

| | PART # | | PART # | | PART # | | PART # |
|---|----------|---|----------|----|----------|----|----------|
| 1 | HDW-0154 | 5 | BRG-0045 | 8 | ROT-0000 | 12 | BRG-0024 |
| 2 | ROT-0084 | 6 | ROT-0085 | 9 | BRG-0224 | 13 | HDW-0226 |
| 3 | BRG-0061 | 7 | BRG-0038 | 10 | STM-0044 | 14 | HDW-0161 |
| 4 | BRG-0062 | | BRG-0037 | 11 | ROT-0045 | 15 | ROT-0283 |

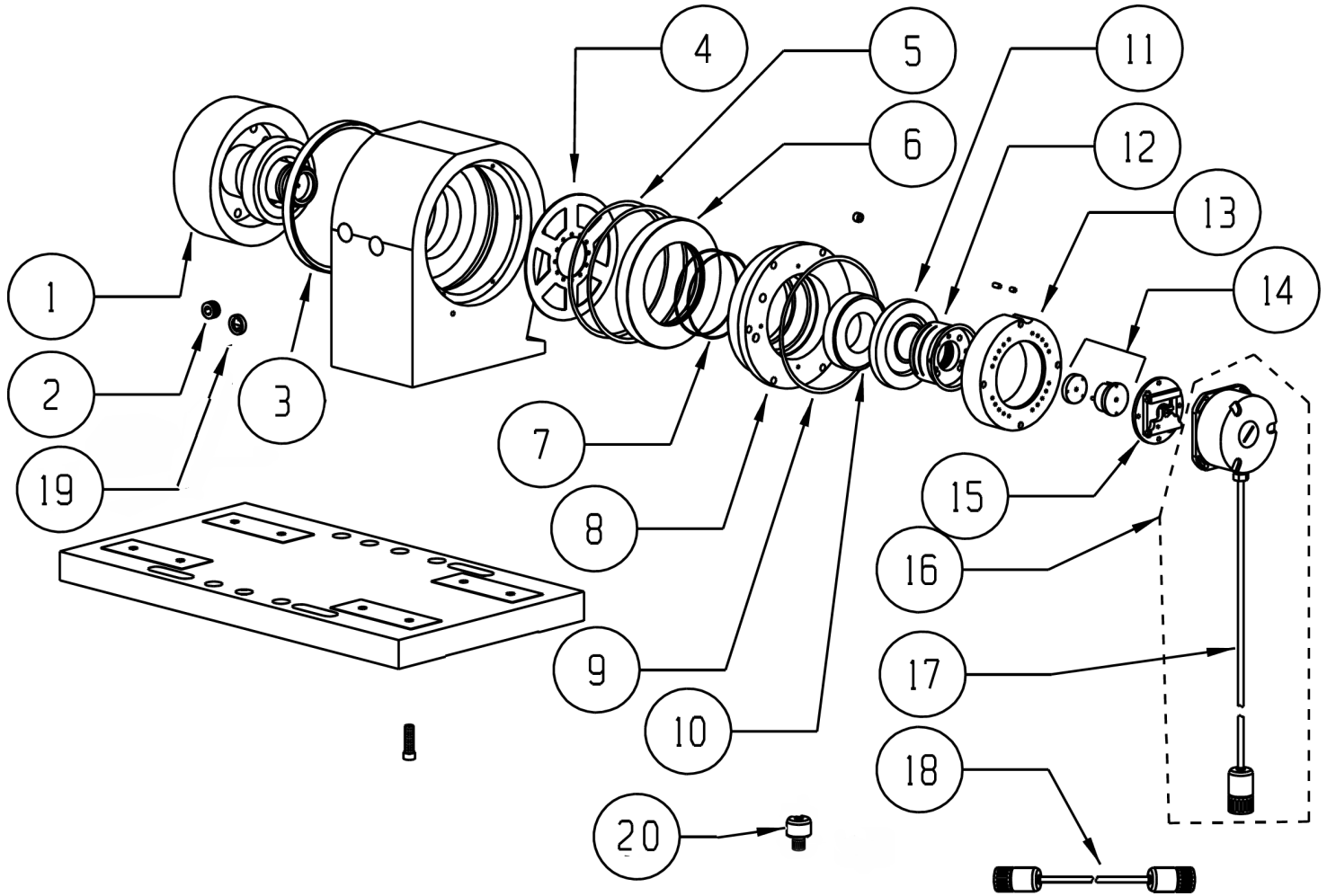
TR65 ROTARY TABLE



TR65 ROTARY TABLE

| | PART # | | PART # | | PART # | | PART # |
|---|----------|---|----------|---|----------|----|----------|
| 1 | ROT-0036 | 4 | ROT-0034 | 7 | BRG-0042 | 10 | HDW-0173 |
| 2 | HDW-0176 | 5 | ROT-0033 | 8 | BRG-0041 | 11 | ROT-0035 |
| 3 | HDW-0167 | 6 | HDW-0172 | 9 | HDW-0225 | | |

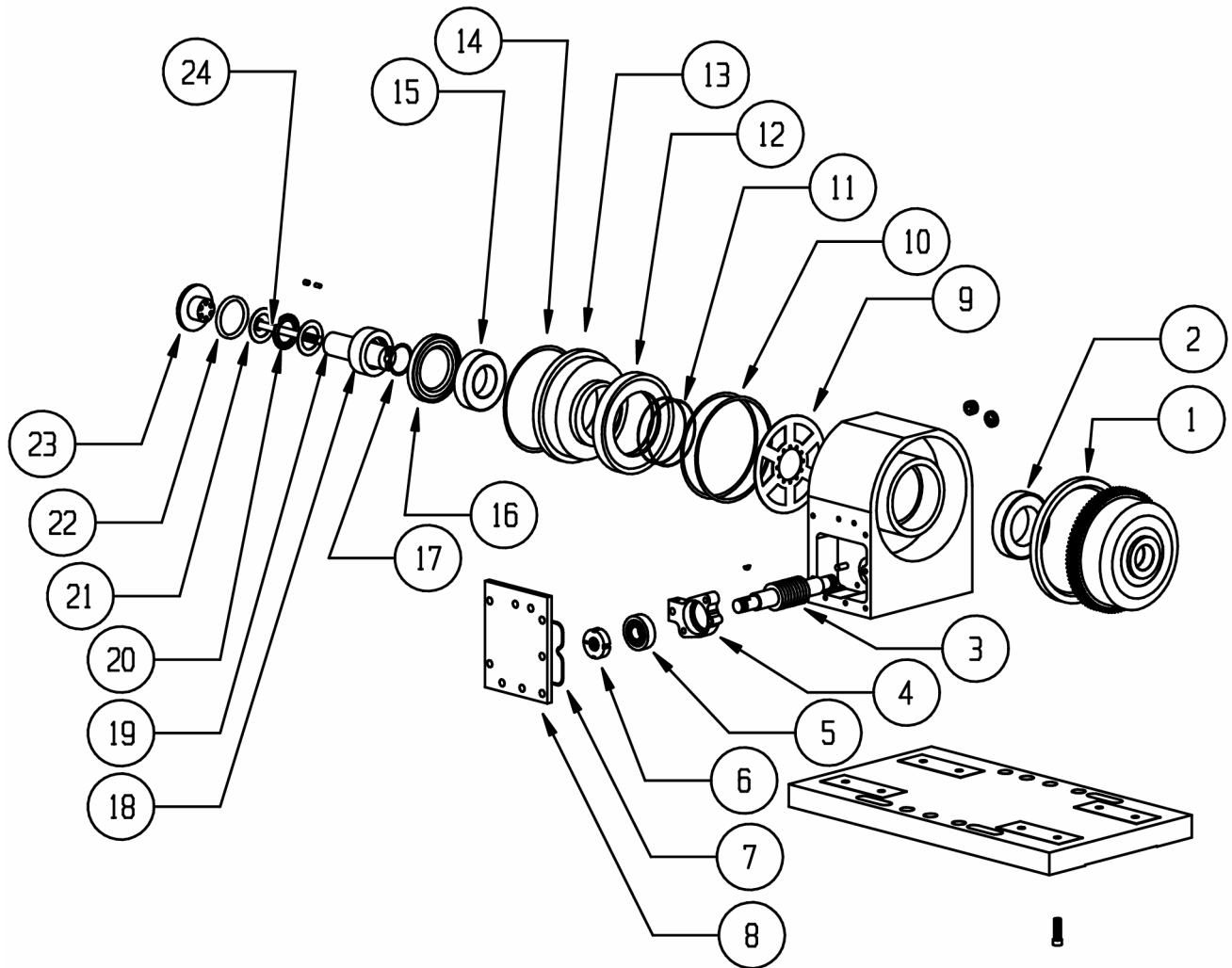
TR65 ROTARY TABLE



TR65 ROTARY TABLE

| | PART # | | | | | | |
|---|----------|----|------------------|----|----------|----|----------|
| 1 | ROT-0291 | 6 | ROT-0034 | 11 | HDW-0225 | 16 | SCL-0023 |
| 2 | HDW-0265 | 7 | HDW-0167 | 12 | ROT-0035 | 17 | SCL-0087 |
| 3 | HDW-0224 | 8 | ROT-0033 | 13 | ROT-0285 | 18 | SCL-0016 |
| 4 | ROT-0036 | 9 | HDW-0172 | 14 | ROT-0286 | 19 | HDW-0222 |
| 5 | HDW-0176 | 10 | BRG-0036 OR 0037 | 15 | SCL-0022 | 20 | SCL-0018 |

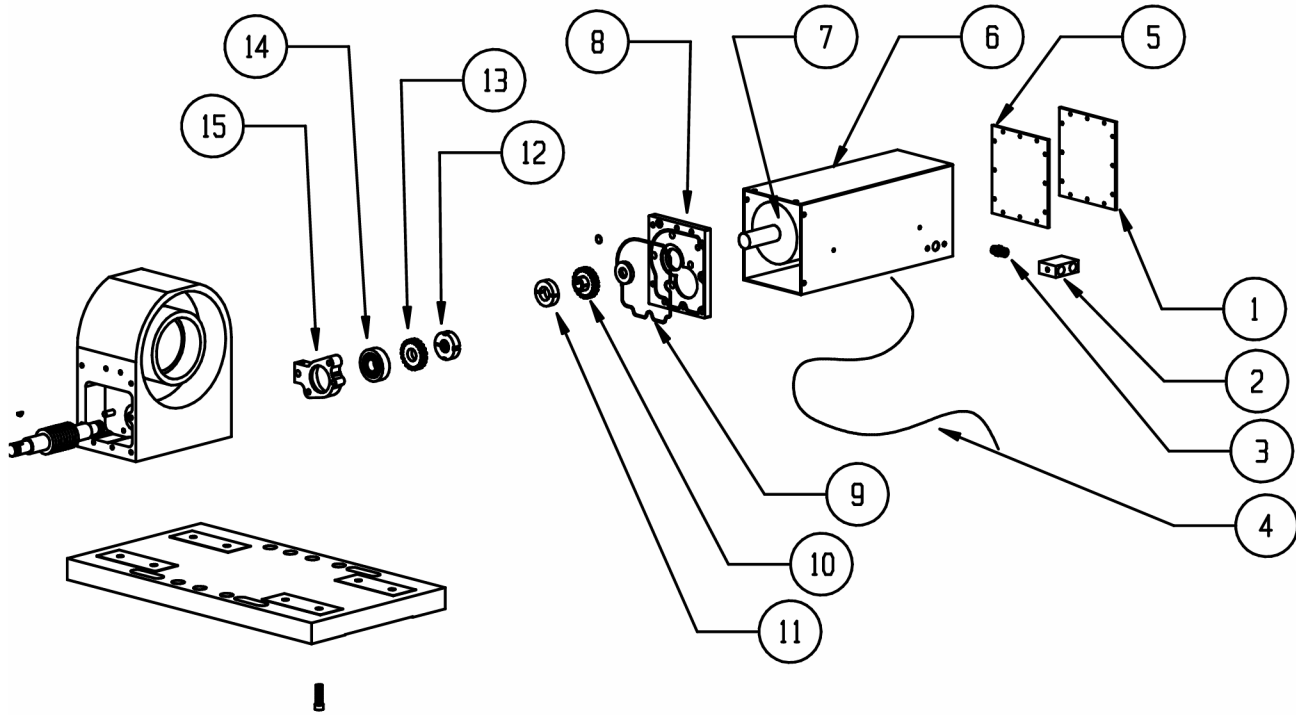
TR65 ROTARY TABLE



TR65 ROTARY TABLE

| | PART # | | PART # | | PART # | | PART # |
|---|----------------------|----|----------|----|----------------------|----|----------|
| 1 | HDW-0224 | 7 | HDW-0161 | 13 | ROT-0033 | 19 | ROT-0058 |
| 2 | BRG-0038 OR BRG-0037 | 8 | ROT-0288 | 14 | HDW-0172 | 20 | BRG-0040 |
| 3 | ROT-0037 | 9 | ROT-0036 | 15 | BRG-0036 OR BRG-0035 | 21 | BRG-0039 |
| 4 | ROT-0043 | 10 | HDW-0176 | 16 | HDW-0225 | 22 | HDW-0173 |
| 5 | BRG-0024 | 11 | HDW-0167 | 17 | HDW-0164 | 23 | ROT-0083 |
| 6 | HDW-0226 | 12 | ROT-0034 | 18 | ROT-0035 | 24 | HDW-0491 |

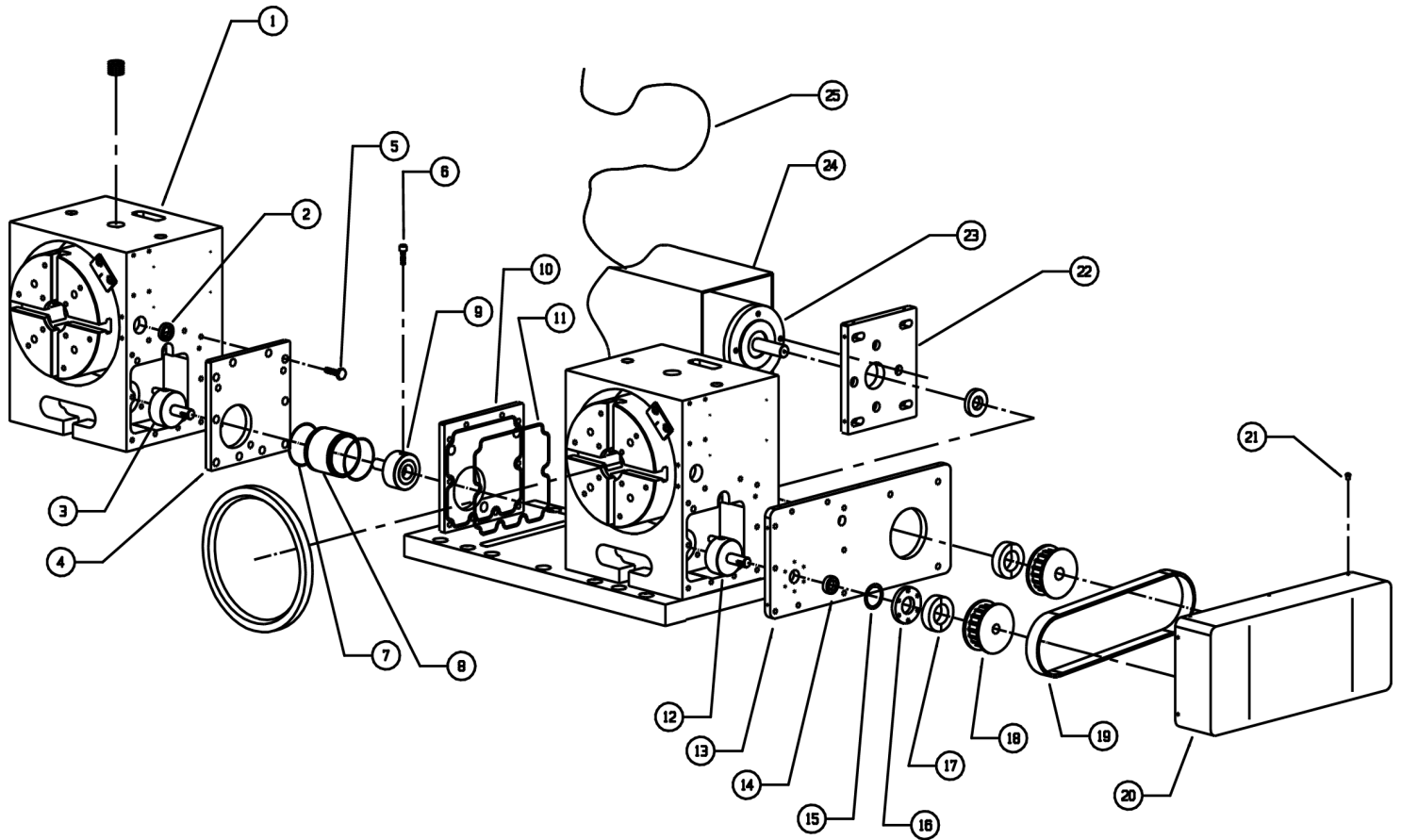
TR65 ROTARY TABLE



TR65 ROTARY TABLE

| | PART # | | PART # | | PART # | | PART # |
|---|---------------------------------------|---|----------|----|----------|----|----------|
| 1 | STM-0508 | 5 | HDW-0367 | 9 | HDW-0181 | 13 | ROT-0280 |
| 2 | ROT-0325 | 6 | STM-0509 | 10 | ROT-0050 | 14 | BRG-0024 |
| 3 | PLM-0044 | 7 | MTR-0125 | 11 | HDW-0230 | 15 | ROT-0033 |
| 4 | WIR-0080(9FT), 0081(6FT), 0217(7.5FT) | 8 | ROT-0284 | 12 | HDW-0226 | | |

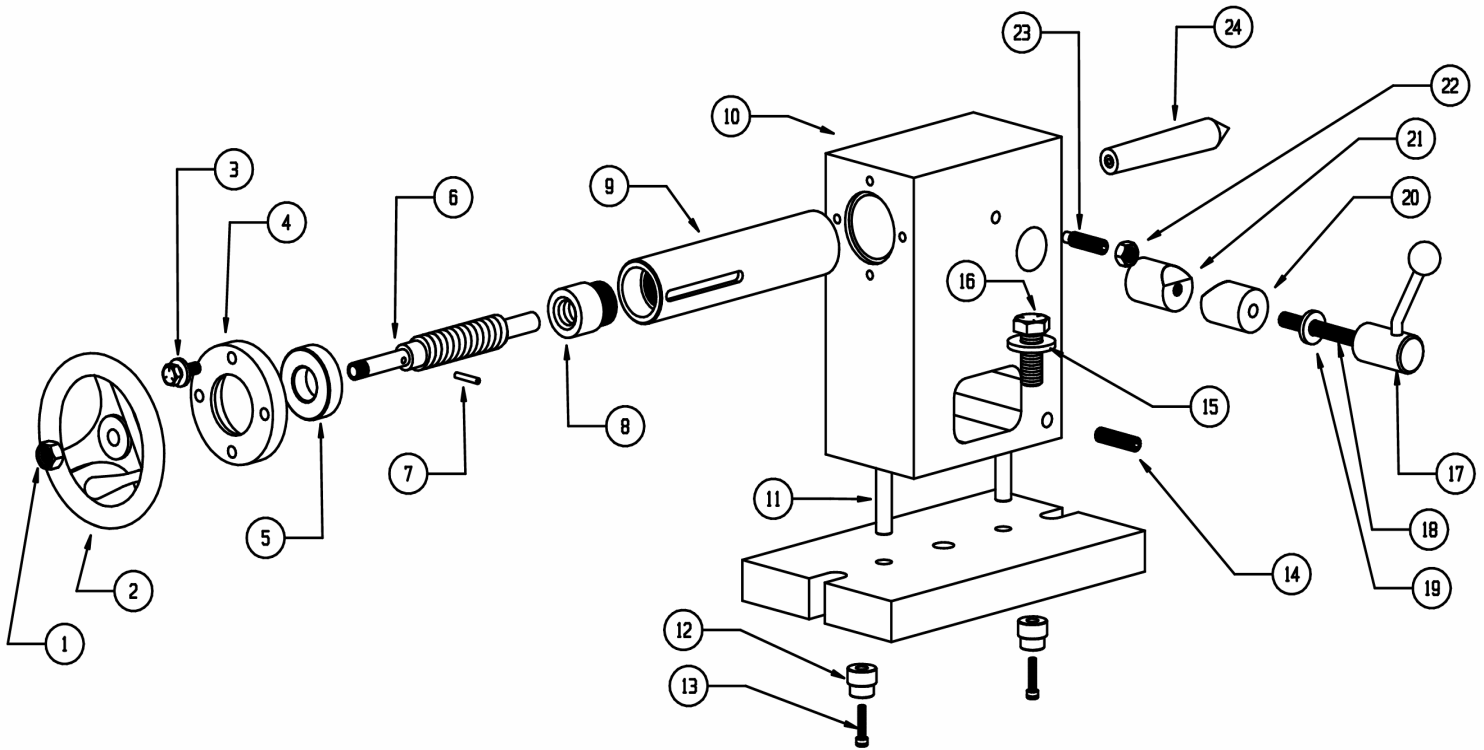
DUAL VH65 ASSY



DUAL VH65 ASSEMBLY

| | PART # | | PART # | | PART # | | PART # |
|---|----------|----|----------|----|----------|----|---------------------------------------|
| 1 | ROT-0188 | 8 | ROT-0314 | 15 | ROT-0150 | 22 | ROT-0329 (RH) |
| 2 | HDW-0222 | 9 | ROT-0082 | 16 | ROT-0311 | | ROT-0394 (LH) |
| 3 | ROT-0082 | 10 | ROT-0312 | 17 | PUL-0041 | 23 | MTR-0125 |
| 4 | ROT-0313 | 11 | HDW-0162 | 18 | PUL-0032 | 24 | STM-0508 |
| 5 | HDW-0295 | 12 | ROT-0092 | 19 | BEL-0025 | 25 | WIR-0080(9FT), 0081(6FT), 0217(7.5FT) |
| 6 | HDW-0497 | 13 | ROT-0315 | 20 | STM-0519 | | |
| 7 | | 14 | HDW-0231 | 21 | HDW-0593 | | |

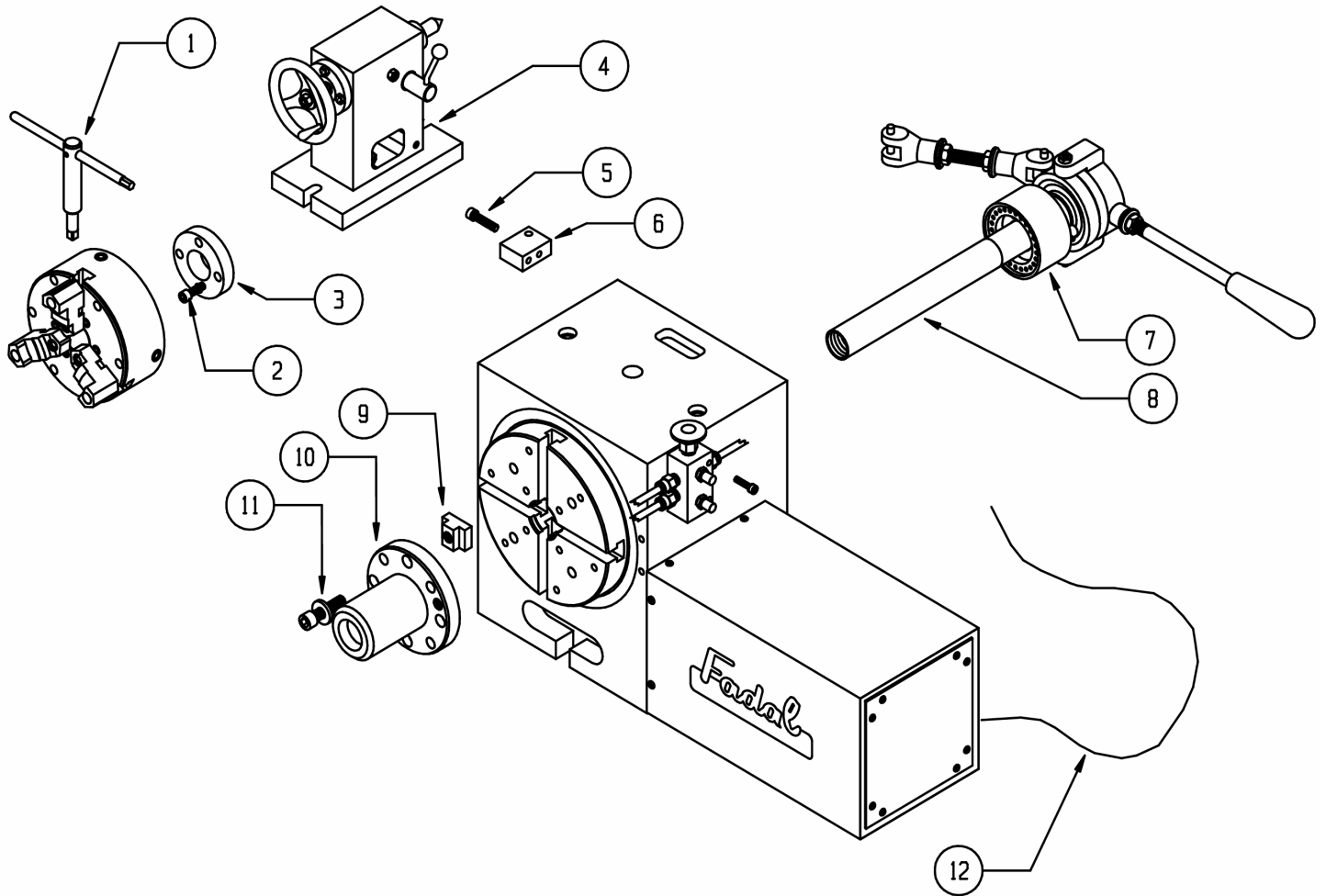
DUAL VH65 ASSY



DUAL VH65 ASSY

| PART # | PART # | PART # | PART # |
|----------|-----------|------------|----------|
| HDW-0645 | 7518-34RP | 7132-1834 | HDW-0381 |
| ROT-0056 | HDW-0228 | HDW-0415 | ROT-0334 |
| HDW-0322 | ROT-0054 | HDW-0050 | ROT-0334 |
| ROT-0336 | ROT-0330 | HDW-0557 | HDW-0646 |
| BRG-0020 | HDW-0616 | ROT-0057 | ROT-0335 |
| ROT-0055 | ROT-0053 | 6918-56325 | HDW-0229 |

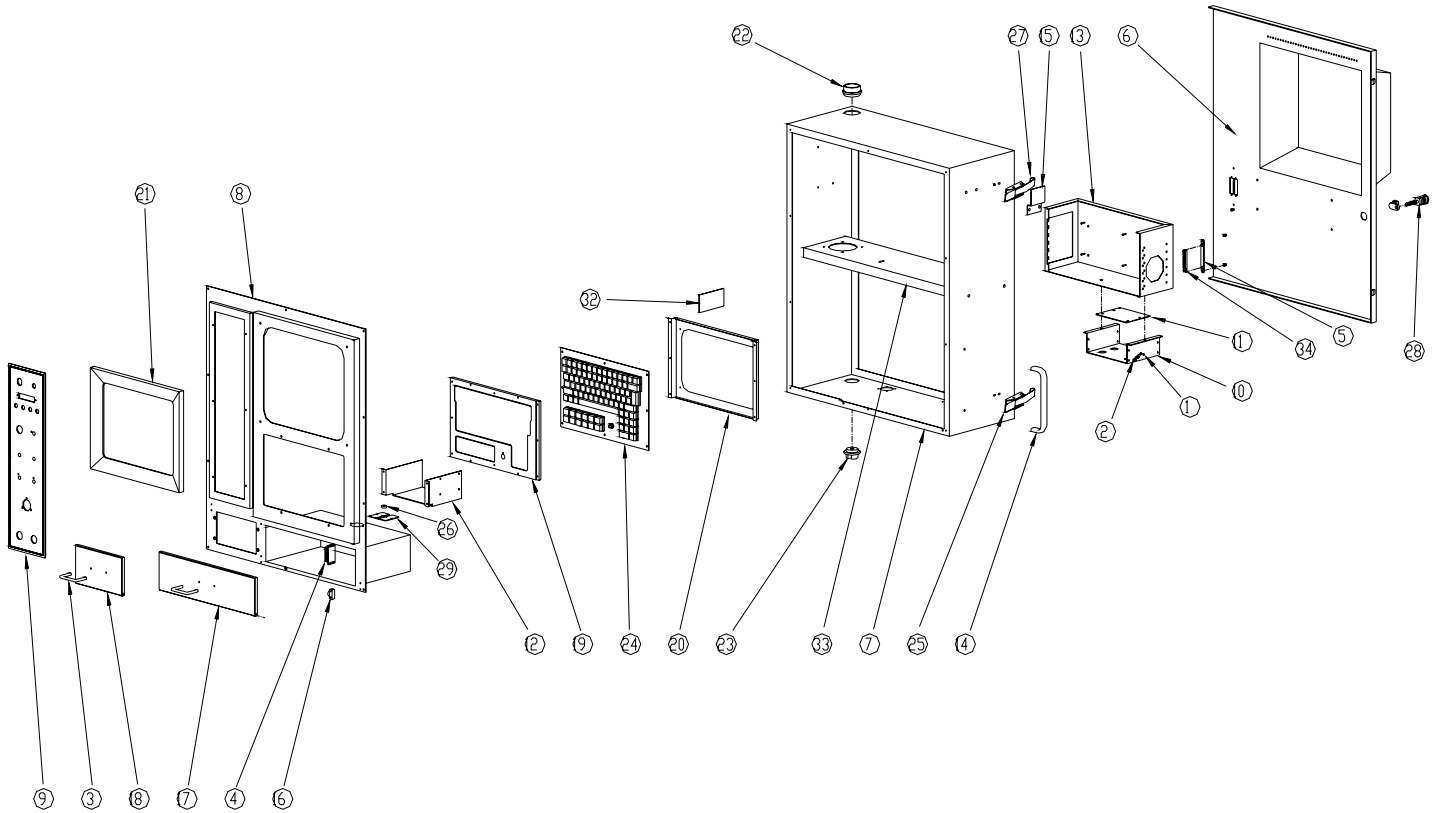
ROTARY ACCESSORIES



ROTARY ACCESSORIES

| | PART # | | PART # | | PART # |
|---|----------------------------|---|----------|----|-------------------------------------|
| 1 | ROT-0153 | 5 | HDW-0578 | 9 | HDW-0227 |
| 2 | HDW-0496 | 6 | STM-0315 | 10 | ROT-0014 |
| 3 | ROT-0051 | 7 | ROT-0017 | 11 | HDW-0472 |
| 4 | ROT-0026(VH65), 0028(VH5C) | 8 | ROT-0016 | 12 | WIR-0080(9FT), 0081(6FT), 0217(7.5) |

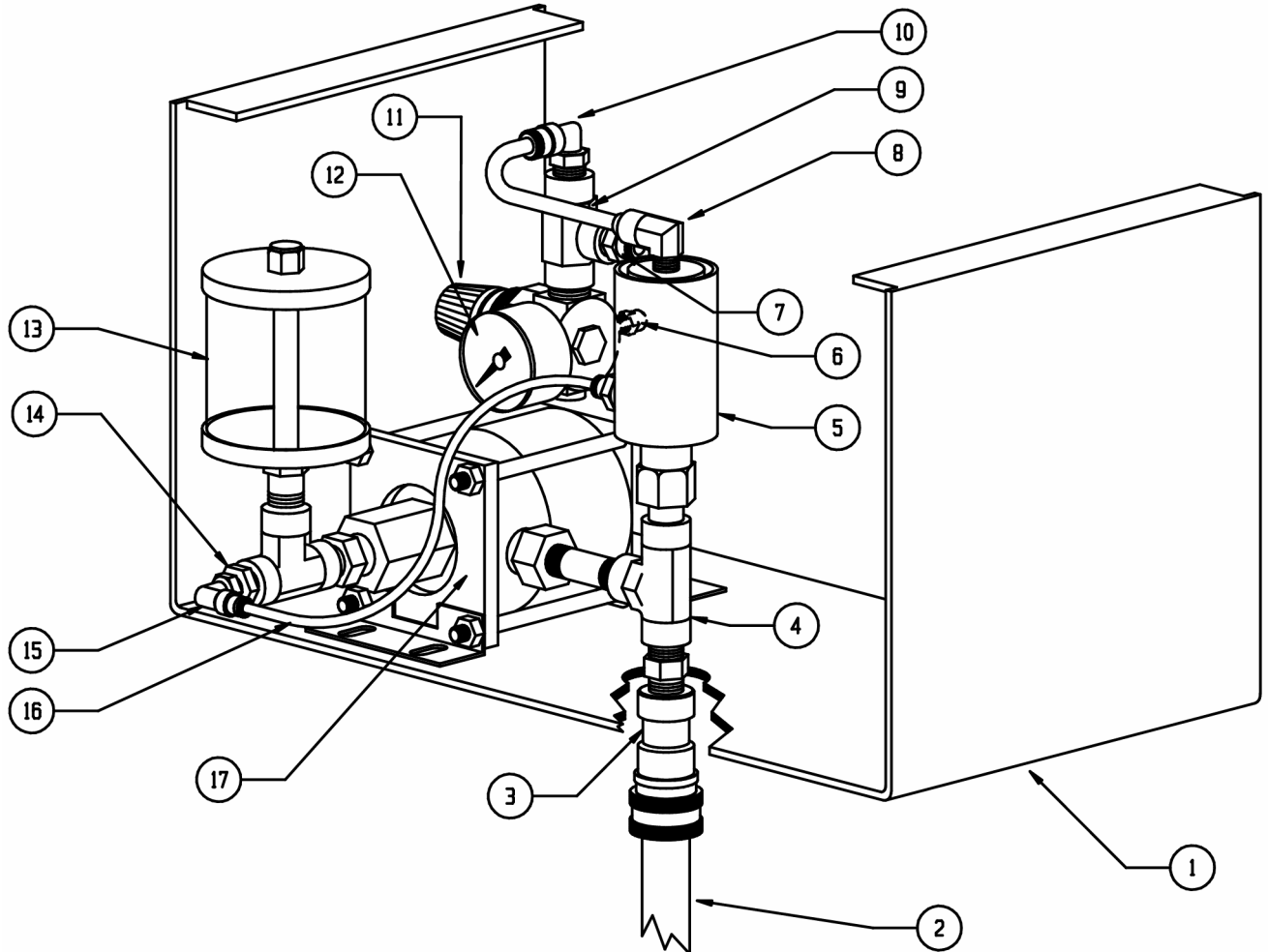
32MP PENDANT ASSY



32MP PENDANT ASS

| | PART # | | PART # |
|---|----------------|----|----------|
| 1 | STM-0125 | 9 | CNT-0047 |
| 2 | WIR-0433 | 10 | PMP-0029 |
| 3 | WIR-0434 | 11 | PLM-0042 |
| 4 | PLM-0042 | 12 | PMP-0000 |
| 5 | PLM-0024 | 13 | PMP-0032 |
| 6 | CNT-0035 (15A) | 14 | PMP-0199 |
| 7 | CNT-0144 (20A) | 15 | PLM-0166 |
| 8 | PLM-0210 | | |

HYDRAULIC BRAKE

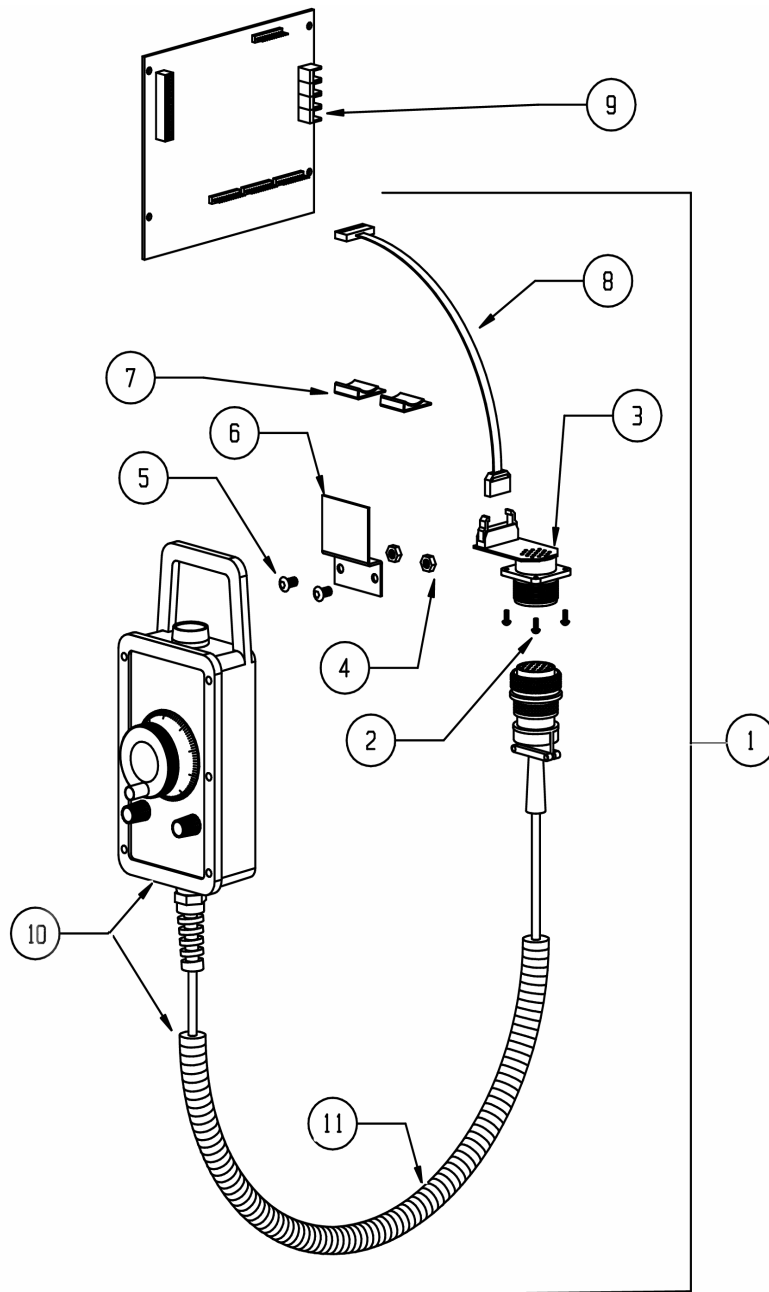


HYDRAULIC BRAKE

| | PART # | | PART # | | PART # | | PART # |
|---|----------|----|----------|----|----------|----|----------|
| 1 | STM-0129 | 6 | PLM-0115 | 11 | REG-0004 | 16 | PLM-0022 |
| 2 | HYD-0010 | 7 | PLM-0044 | 12 | REG-0017 | 17 | HYD-0008 |
| 3 | HYD-0012 | 8 | PLM-0033 | 13 | HYD-0013 | | |
| 4 | PLM-0056 | 9 | PLM-0023 | 14 | HDW-0392 | | |
| 5 | HYD-0009 | 10 | PLM-0036 | 15 | PLM-0034 | | |

* HYDRAULIC OIL FOR BRAKE SYSTEM IS MOBIL DTE LIGHT

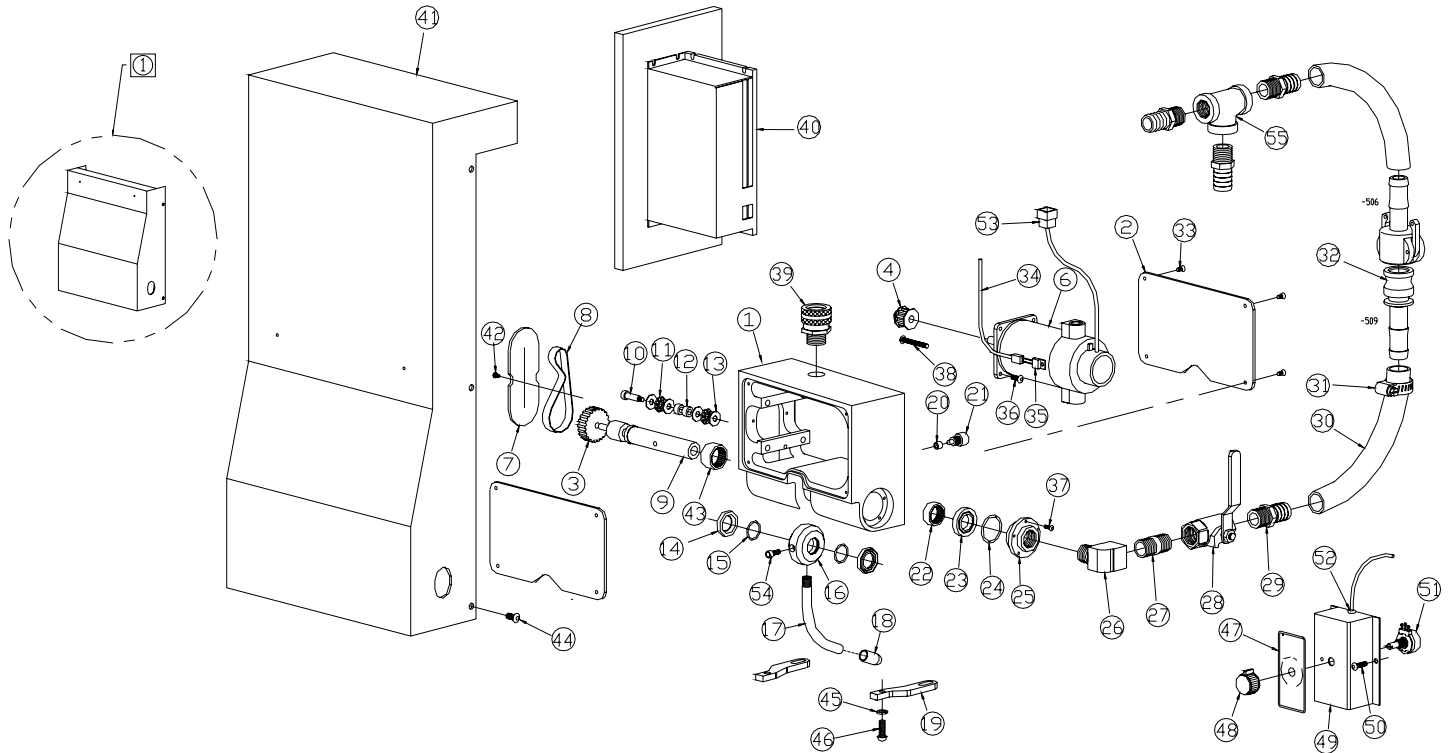
REMOTE MPG



REMOTE MPG

| | PART # | | PART # | | PART # | | PART # |
|---|----------|----|----------|----|----------|----|----------|
| 1 | PCB-0012 | 10 | CTR-0009 | 19 | ELE-0067 | 28 | HDW-0847 |
| 2 | STM-0128 | 11 | BRG-0077 | 20 | ELE-0078 | 29 | PCB-0019 |
| 3 | ELE-0083 | 12 | CTR-0077 | 21 | ELE-0112 | 30 | ELE-0070 |

SERVO COOLANT

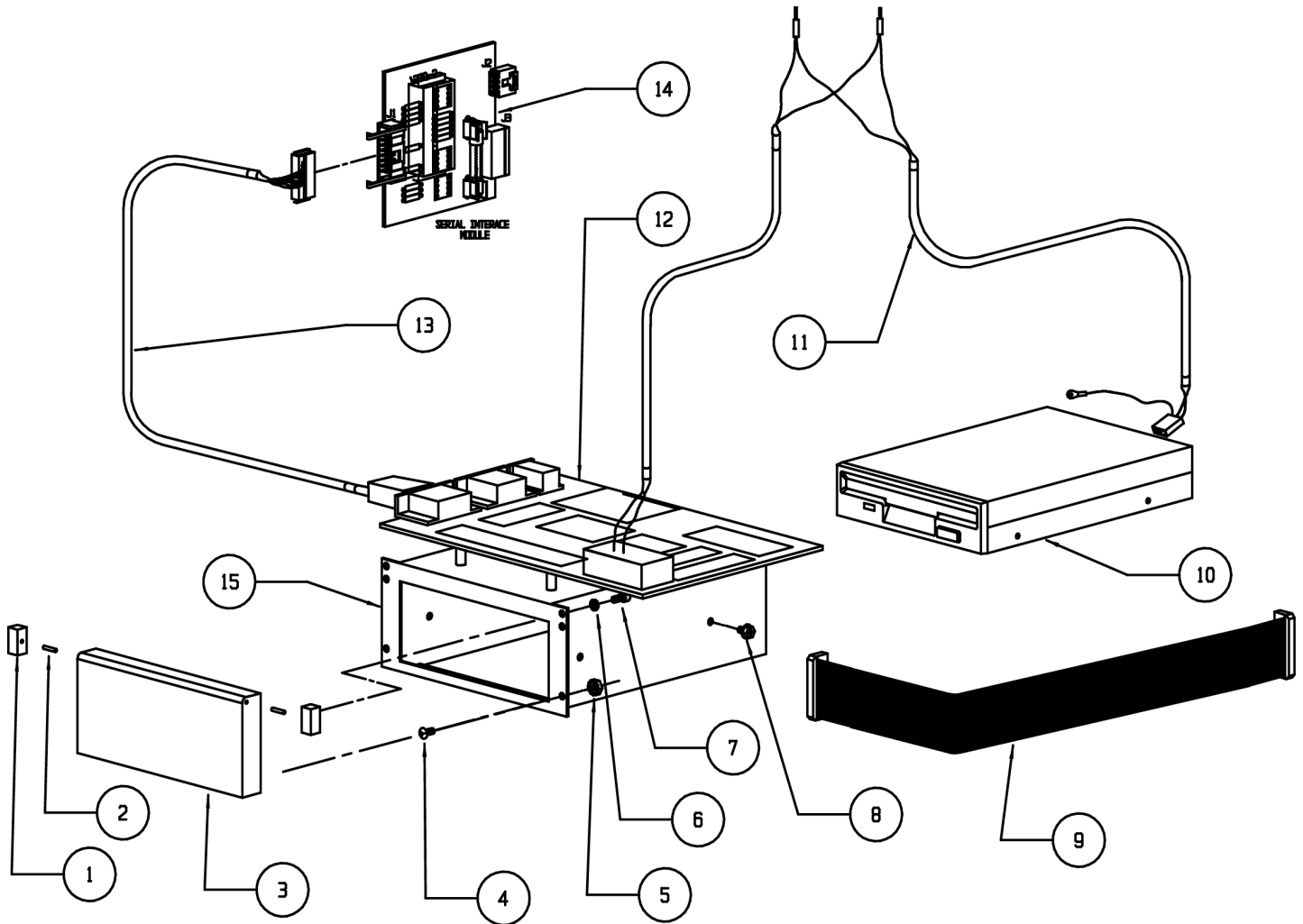


SERVO COOLANT

| | PART # | | PART # | | PART # | | PART # |
|----|----------|----|----------|----|----------------------|----|----------------------|
| 1 | CNT-0188 | 15 | HDW-0696 | 29 | PLM-0104 | 42 | HDW-0593 |
| 2 | CNT-0190 | 16 | CNT-0155 | 30 | PLM-0014 | 43 | BRG-0117 |
| 3 | PUL-0049 | 17 | CNT-0152 | 31 | HDW-0253 | 44 | HDW-0346 |
| 4 | PUL-0048 | 18 | CNT-0161 | 32 | PLM-0020/ 0144 | 45 | HDW-0279 |
| 5 | | 19 | CNT-0160 | 33 | HDW-0325 | 46 | HDW-0589 |
| 6 | MTR-0055 | 20 | CNT-0157 | 34 | WIR-0533 | 47 | LBL-0044/ 0180/ 0246 |
| 7 | CNT-0189 | 21 | CNT-0156 | 35 | ELE-0722 | 48 | HDW-0671 |
| 8 | BEL-0028 | 22 | BRG-0118 | 36 | HDW-0302 | 49 | STM-0759 |
| 9 | CNT-0153 | 23 | HDW-0757 | 37 | HDW-0594 | 50 | HDW-0348 |
| 10 | HDW-0800 | 24 | HDW-0697 | 38 | HDW-1114 | 51 | ELE-0066 |
| 11 | BRG-0120 | 25 | CNT-0154 | 39 | WIR-0517 | 52 | HDW-0687 |
| 12 | BRG-0116 | 26 | PLM-0189 | 40 | AMP-0013 | 53 | WIR-0048 |
| 13 | BRG-0119 | 27 | PLM-0092 | 41 | STM-0674 (3016/4020) | 54 | HDW-0302 |
| 14 | HDW-0758 | 28 | VLV-0017 | | STM-0675 (6030/8030) | 55 | PLM-0089 |

① USE STM-1132 INSTEAD OF STM-0674 (ITEM 41) FOR SLANT MACHINES WITH CHAIN HOIST OPTION

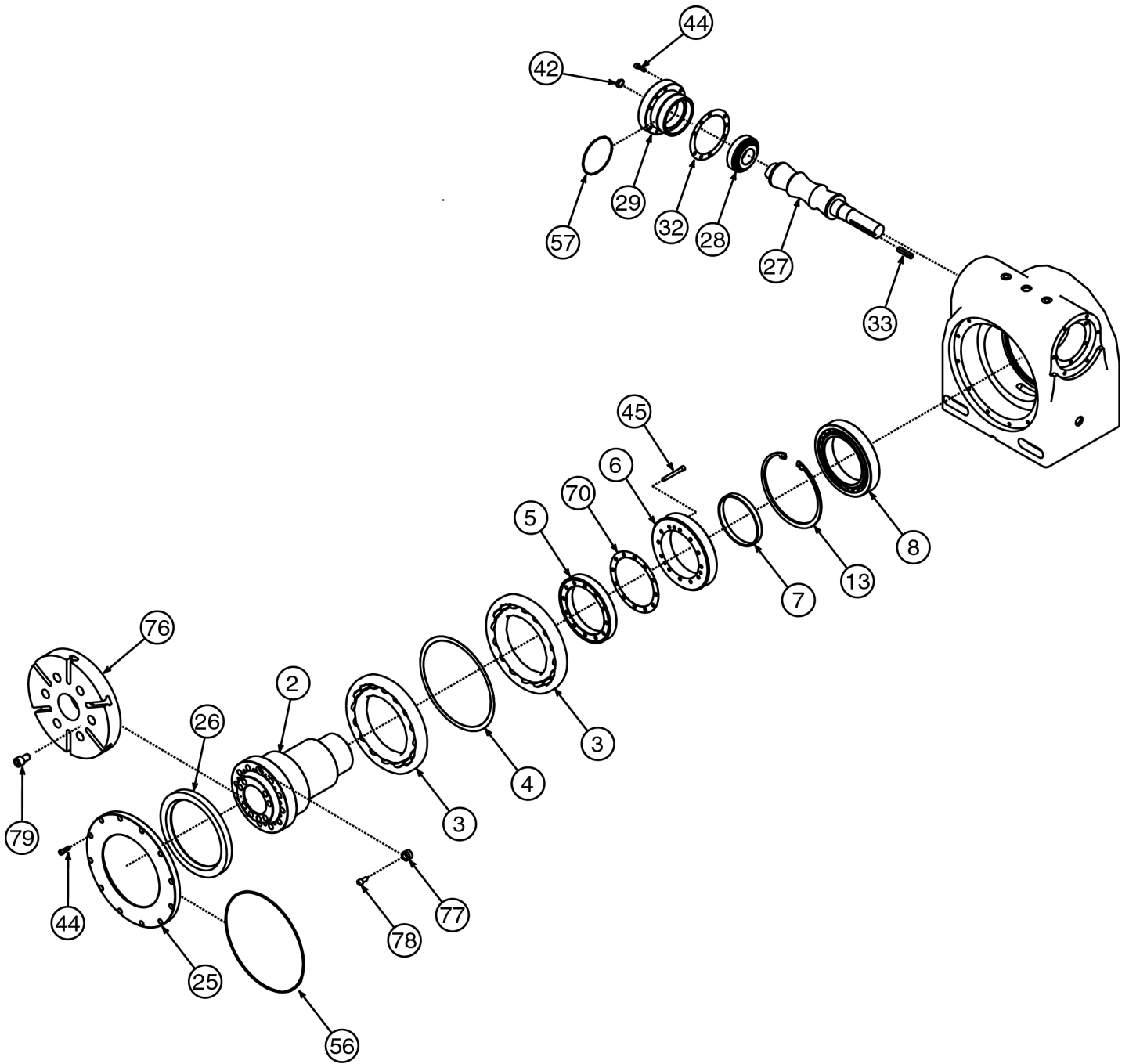
FLOPPY/ZIP DRIVES



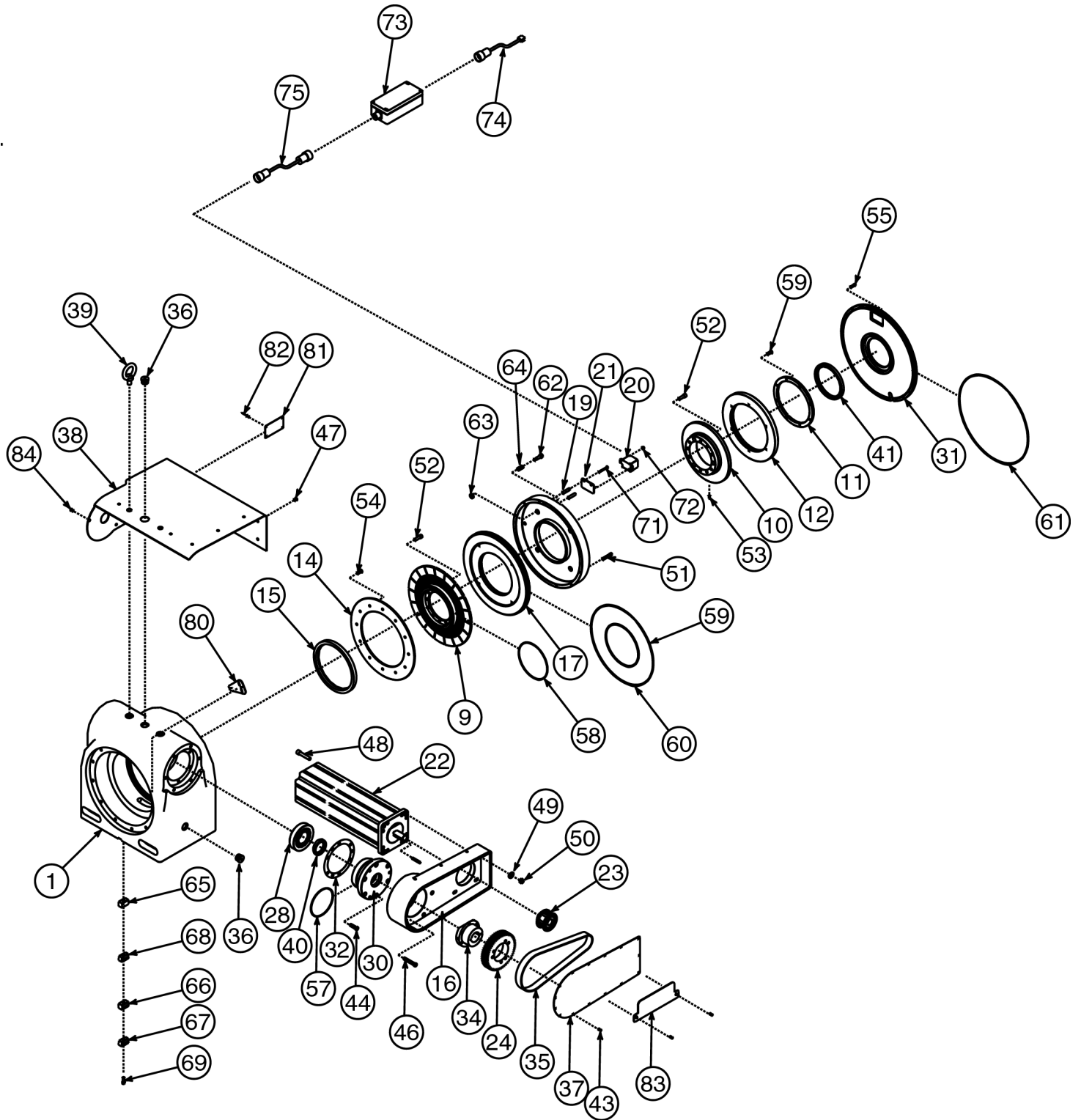
FLOPPY/ZIP DRIVES

| | PART # | | PART # | | PART # | | PART # |
|---|----------|---|----------|----|------------------------------|----|----------|
| 1 | CTR-0078 | 5 | HDW-0649 | 9 | WIR-0659(STD), WIR-0658(ZIP) | 13 | WIR-0657 |
| 2 | HDW-0855 | 6 | HDW-0453 | 10 | ELE-0168(STD), WIR-0967(ZIP) | 14 | PCB-0156 |
| 3 | CTR-0079 | 7 | HDW-0508 | 11 | WIR-0660(STD), WIR-0656(ZIP) | 15 | STM-0470 |
| 4 | HDW-0594 | 8 | | 12 | ELE-0966 | | |

300/400 ROTARY TABLE BOX



300/400 ROTARY TABLE BOX



300/400 ROTARY TABLE BOX

300/400 ROTARY TABLE BOX

| | PART # | | PART # | | PART # | | PART # |
|----|----------|----|---------------|----|----------|----|----------|
| 1 | ROT-0360 | 23 | PUL-0046 | 45 | HDW-1011 | 67 | ROT-0049 |
| 2 | ROT-0347 | 24 | PUL-0047 | 46 | HDW-0484 | 68 | ROT-0047 |
| 3 | BRG-0135 | 25 | ROT-0346 | 47 | HDW-0347 | 69 | HDW-0298 |
| 4 | ROT-0364 | 26 | HDW-0939 | 48 | HDW-0473 | 70 | HDW-0955 |
| 5 | ROT-348 | 27 | ROT-0361 | 49 | HDW-0049 | 71 | HDW-1006 |
| 6 | ROT-0361 | 28 | BRG-0137,0138 | 50 | HDW-0333 | 72 | HDW-0657 |
| 7 | ROT-0349 | 29 | ROT-0350 | 51 | HDW-0296 | 73 | SCL-0041 |
| 8 | ROT-0136 | 30 | ROT-0357 | 52 | HDW-0494 | 74 | SCL-0081 |
| 9 | ROT-0352 | 31 | ROT-0355 | 53 | HDW-0682 | 75 | SCL-0083 |
| 10 | ROT-0356 | 32 | HDW-0945 | 54 | HDW-0799 | 76 | ROT-0397 |
| 11 | ROT-0395 | 33 | ROT-0370 | 55 | HDW-0303 | 77 | ROT-0402 |
| 12 | SCL-0040 | 34 | PUL-0056 | 56 | HDW-0933 | 78 | HDW-0475 |
| 13 | HDW-0996 | 35 | BEL-0031 | 57 | HDW-0703 | 79 | HDW-0461 |
| 14 | ROT-0351 | 36 | HDW-1005 | 58 | HDW-0938 | 80 | STM-0920 |
| 15 | HDW-0940 | 37 | STM-0723 | 59 | HDW-0936 | 81 | LBL-0286 |
| 16 | ROT-0358 | 38 | STM-0722 | 60 | HDW-0937 | 82 | SUP-0032 |
| 17 | ROT-0353 | 39 | HDW-0030 | 61 | HDW-0935 | 83 | LBL-0012 |
| 18 | ROT-0354 | 40 | HDW-0941 | 62 | HDW-1006 | 84 | HDW-0349 |
| 19 | HDW-1004 | 41 | HDW-0997 | 63 | HDW-0998 | | |
| 20 | SCL-0040 | 42 | HDW-0222 | 64 | HDW-1007 | | |
| 21 | ROT-0369 | 43 | HDW-0886 | 65 | ROT-0046 | | |
| 22 | MTR-0139 | 44 | HDW-0481 | 66 | ROT-0048 | | |

V300 Cable:

WIR:-0663 CBL ASY; CYL 10' PWR A/B SLANT

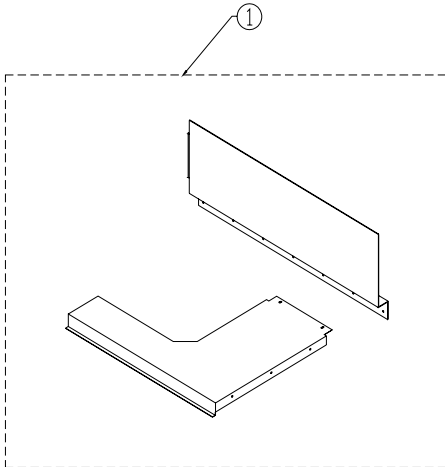
WIR:-0664 CBL ASY; CYL 10' LGIC A/B SLANT

WIR:-0665 CBL ASY; CYL 15' PWR A/B SLANT

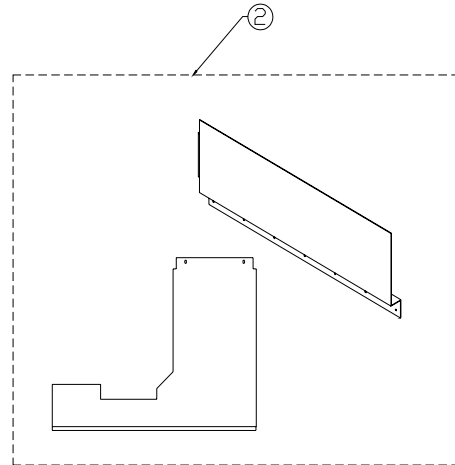
WIR:-0666 CBL ASY; CYL 15' LGIC A/B SLANT

FULL ENCLOSURE SHEETMETAL

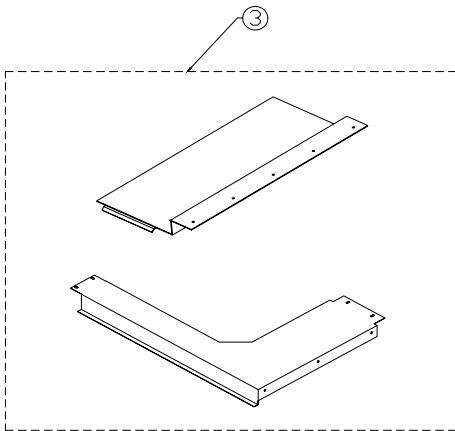
4020-STD
NO
SERVO
COOLANT



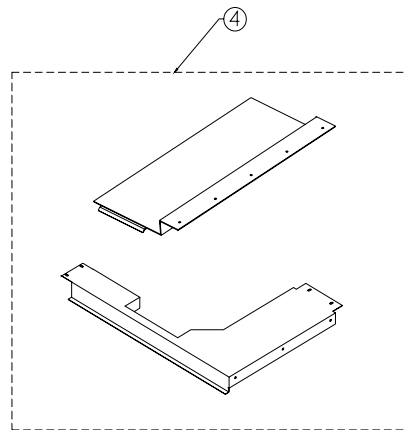
4020-STD
SERVO
COOLANT



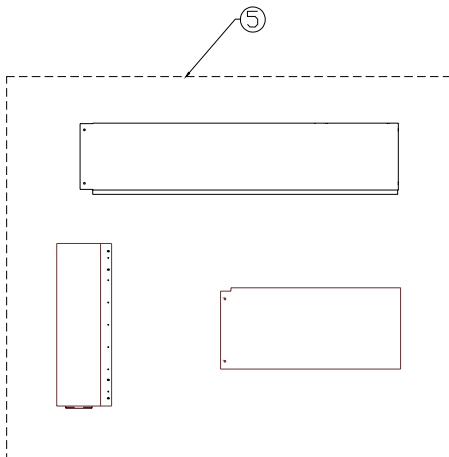
15-3016
NO SERVO
COOLANT



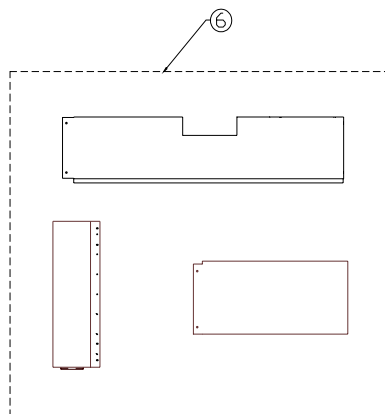
15-3016
SERVO
COOLANT



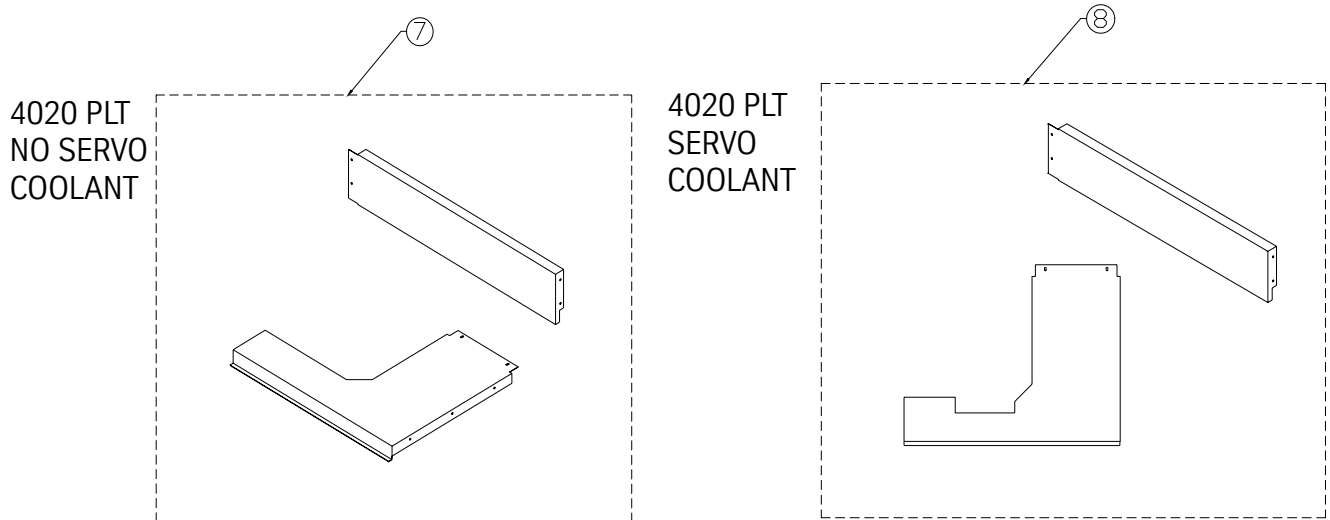
6030/8030
NO SERVO
COOLANT



6030/8030
SERVO
COOLANT



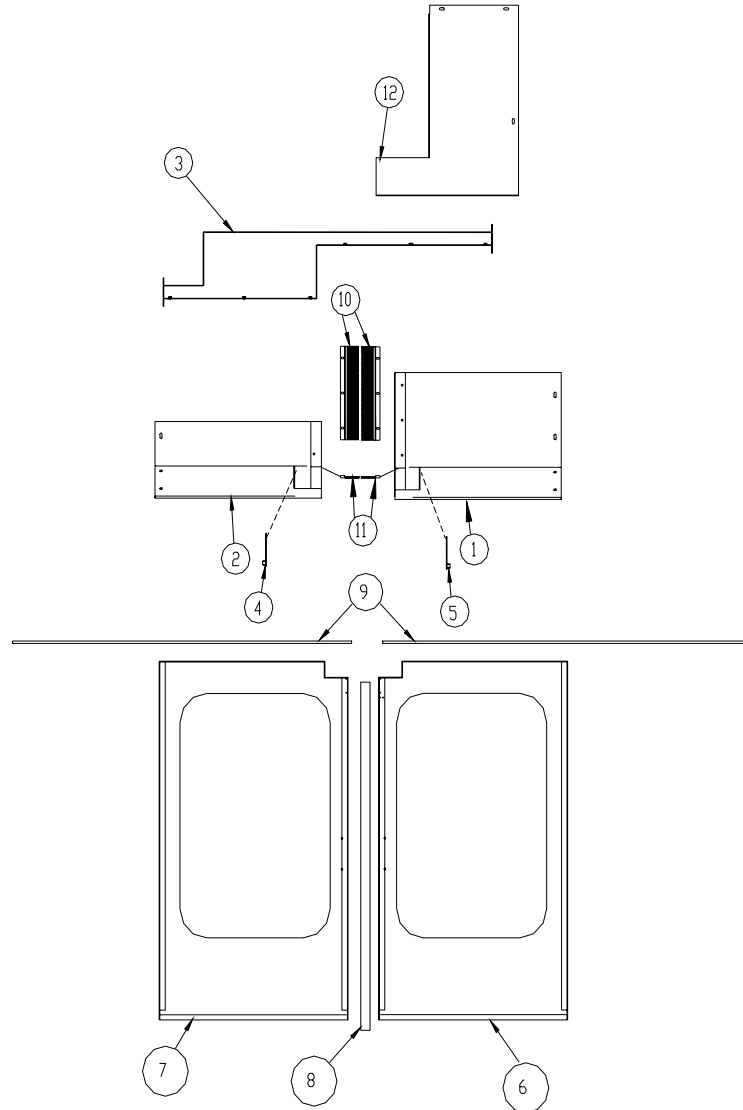
FULL ENCLOSURE SHEETMETAL



FULL ENCLOSURE SHEETMETAL

| | PART# |
|---|----------|
| 1 | STM-0449 |
| 2 | STM-0450 |
| 3 | STM-0451 |
| 4 | STM-0452 |
| 5 | STM-0453 |
| 6 | STM-0454 |
| 7 | STM-0455 |
| 8 | STM-0456 |

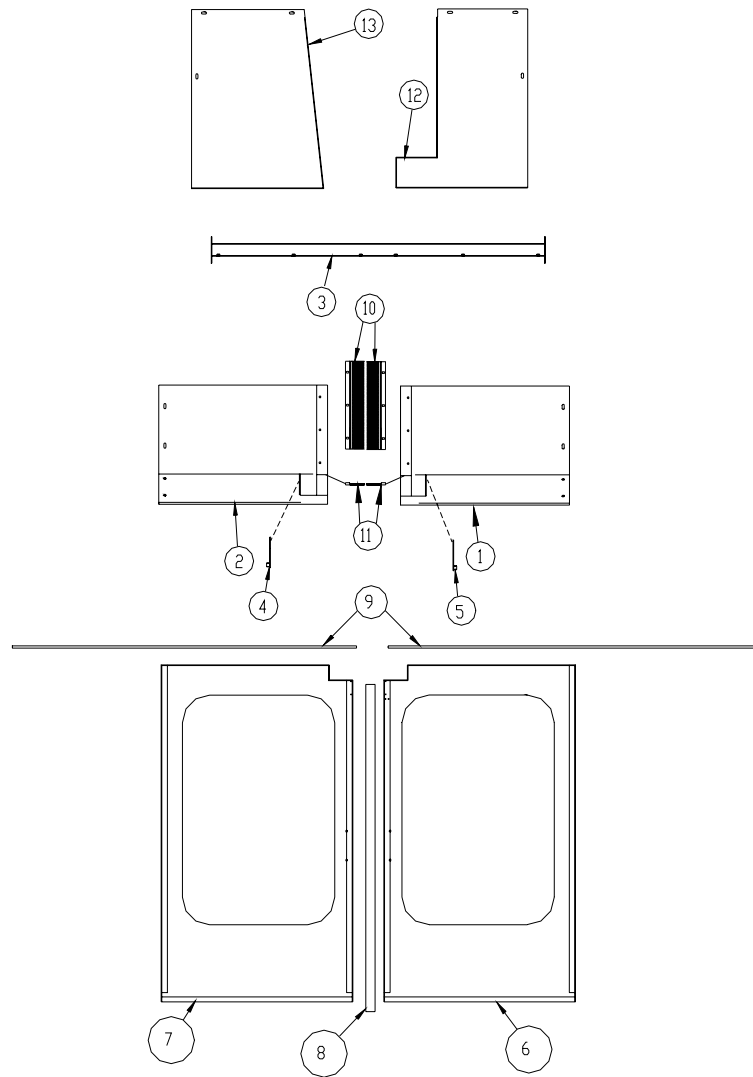
CHAIN HOIST SHEETMETAL 3020



CHAIN HOIST SHEETMETAL 3020

| | PART # | | PART # |
|---|----------|----|----------|
| 1 | STM-0959 | 7 | STM-0967 |
| 2 | STM-0961 | 8 | STM-0968 |
| 3 | STM-0962 | 9 | DOR-0066 |
| 4 | STM-0964 | 10 | HDW-1068 |
| 5 | STM-0965 | 11 | HDW-1069 |
| 6 | STM-0966 | 12 | STM-1022 |

CHAIN HOIST SHEETMETAL 4020S

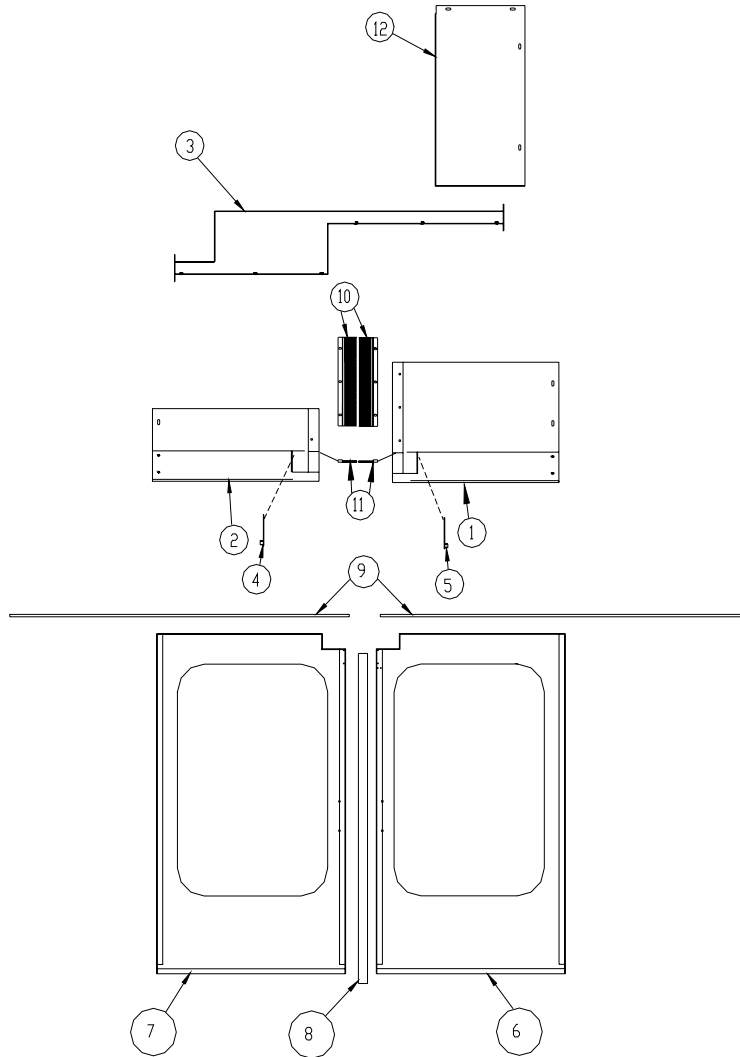


CHAIN HOIST SHEETMETAL 4020S

| | PART # | | PART # |
|---|----------|-----|----------|
| 1 | STM-0959 | 8 | STM-0968 |
| 2 | STM-0960 | 9 | DOR-0063 |
| 3 | STM-0963 | 10 | HDW-1068 |
| 4 | STM-0964 | 11 | HDW-1069 |
| 5 | STM-0965 | 12 | STM-1093 |
| 6 | STM-0966 | 13* | STM-1094 |
| 7 | STM-0967 | | |

* FOR STANDARD TOOL CHANGER ONLY

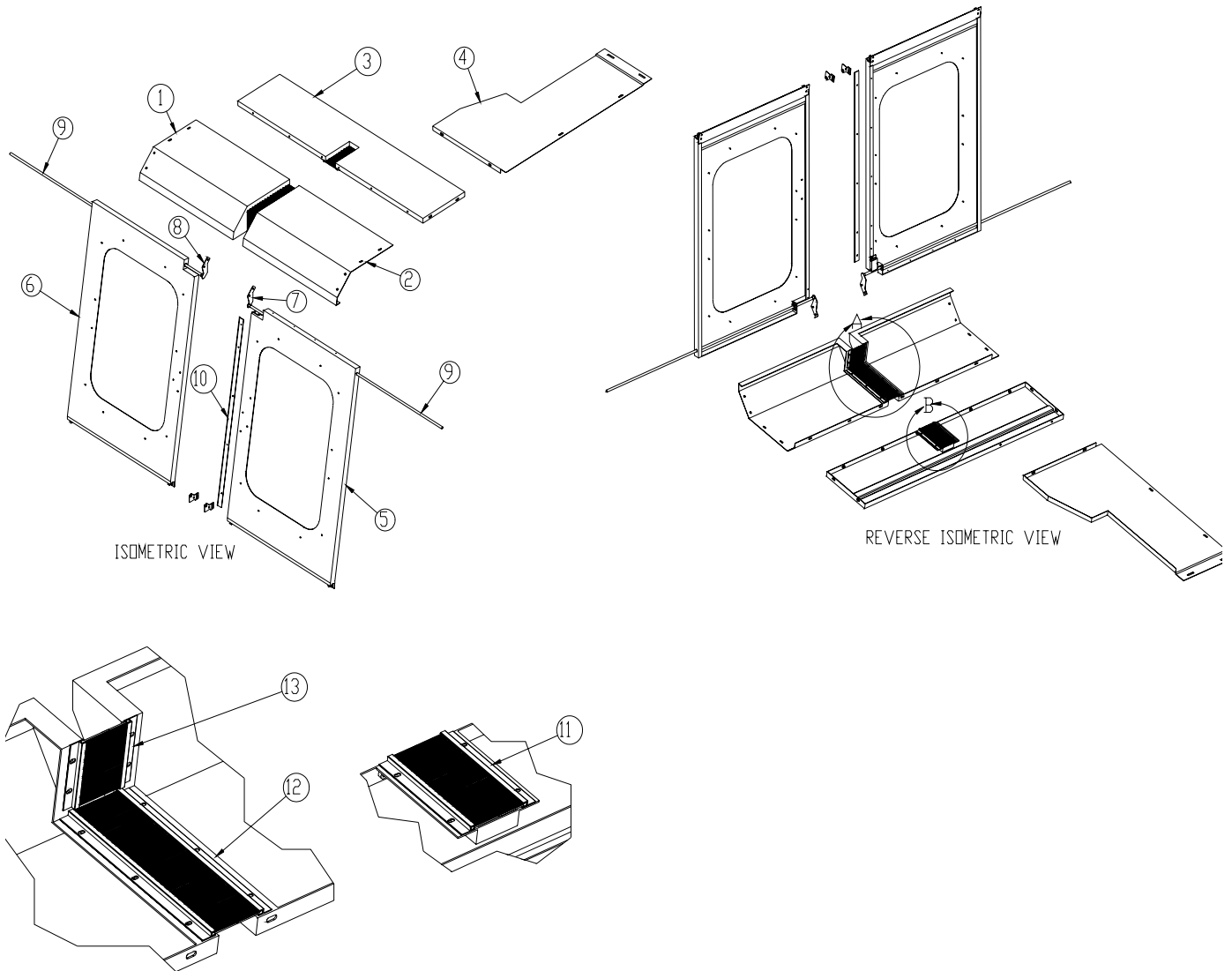
CHAIN HOIST SHEETMETAL 4525



CHAIN HOIST SHEETMETAL 4525

| | PART # | | PART # |
|---|----------|----|----------|
| 1 | STM-0959 | 7 | STM-0967 |
| 2 | STM-0961 | 8 | STM-0968 |
| 3 | STM-0962 | 9 | DOR-0067 |
| 4 | STM-0964 | 10 | HDW-1068 |
| 5 | STM-0965 | 11 | HDW-1069 |
| 6 | STM-0966 | 12 | STM-1092 |

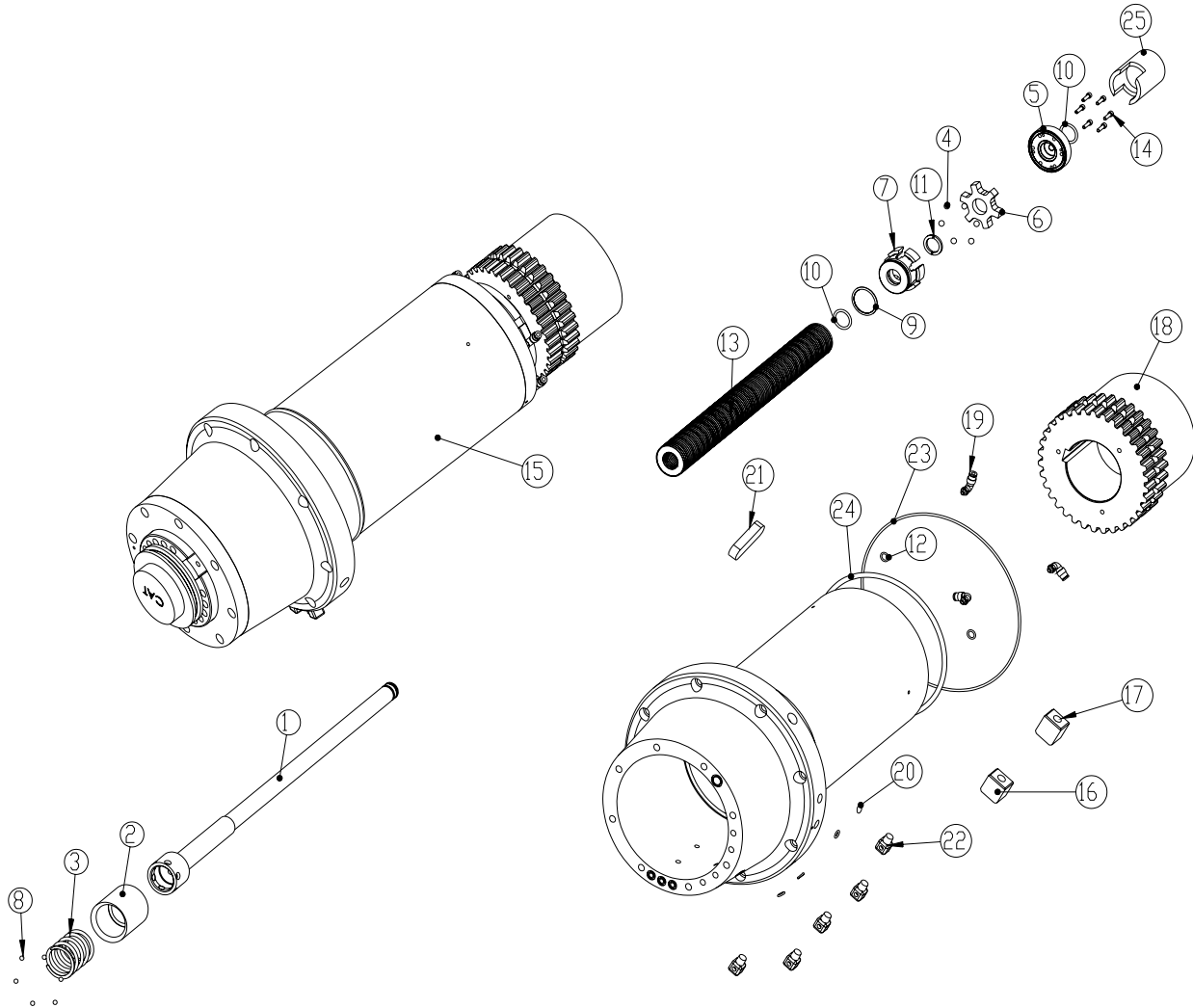
CHAIN HOIST SHEETMETAL 6535



CHAIN HOIST SHEETMETAL 6535

| | PART # | | PART # |
|---|----------|----|----------|
| 1 | STM-1329 | 8 | STM-0964 |
| 2 | STM-1330 | 9 | DOR-0073 |
| 3 | STM-1245 | 10 | STM-0968 |
| 4 | STM-1331 | 11 | HDW-1127 |
| 5 | STM-1336 | 12 | HDW-1068 |
| 6 | STM-1337 | 13 | HDW-1069 |
| 7 | STM-0965 | | |

50 TAPER SPINDLE



50 TAPER SPINDLE

| | Part Number | Description | Quantity |
|----|-------------|---|----------|
| 1 | DRB-0033 | DRAWBAR,6535-50T-CAT | 1 |
| 2 | DRB-0034 | FLOATER,DRAWBAR;6535-50T CAT | 1 |
| 3 | HDW-1255 | FLOATER SPRING,6535-50T;COMPRESSION | 1 |
| 4 | BRG-0004 | BALL,CHROME-PRECISION;1/4 GR25 | 6 |
| 5 | DRB-0045 | CAP,KNOCKOUT;LDB 6535-50T CAT/BT | 1 |
| 6 | DRB-0042 | SPIDER,DRAWBAR;6535-50T CAT/BT | 1 |
| 7 | DRB-0041 | SPRING PILOT,CNT;6535-50T CAT/BT | 1 |
| 8 | BRG-0005 | BALL,CHROME-PRECISION;3/16 G25 | 6 |
| 9 | HDW-1254 | O-RING, -220 | 1 |
| 10 | HDW-0157 | O'RING,-116; .750 X .093 CS | 1 |
| 11 | DRB-0044 | RETAINER CLIPS,DRAWBAR;6535-50T SET/2 | 2 |
| 12 | HDW-0180 | O'RING,-011; .312 X .062 CS | 3 |
| 13 | HDW-1158 | SPRING,BELLEVILLE;50T CAT/BT [120 REQD] | 120 |
| 14 | HDW-0305 | SCREW,SOCAP;6-32 X 1/2 | 6 |
| 15 | SPN-0143 | SPN/PUL,7500 50 TAPER;CAT50 DATC | 1 |
| 16 | SPN-0144 | KEY DRIVE,SHORT;50T | 1 |
| 17 | SPN-0151 | KEY,DRIVE,LONG | 1 |
| 18 | PUL-0076 | PULLEY,SPN;50 TAPER 7500 | 1 |
| 19 | PLM-0158 | FITTING,5/32QD X 10-32 ELBOW | 5 |
| 20 | HDW-0866 | O'RING,-009;.2187 X .062 CS | 4 |
| 21 | SPN-0149 | KEY,SPINDLE PULLEY;50T | 1 |
| 22 | LUB-0076 | FITTING,5/32QD X 1/8 MIPT ELBOW BRASS | 5 |
| 23 | HDW-1252 | O-RING, -172 | 1 |
| 24 | HDW-1253 | O-RING, -363 | 1 |
| 25 | SVT-0199 | TOOL,DRAWBAR REMOVAL;50T CAT/BT | 1 |

